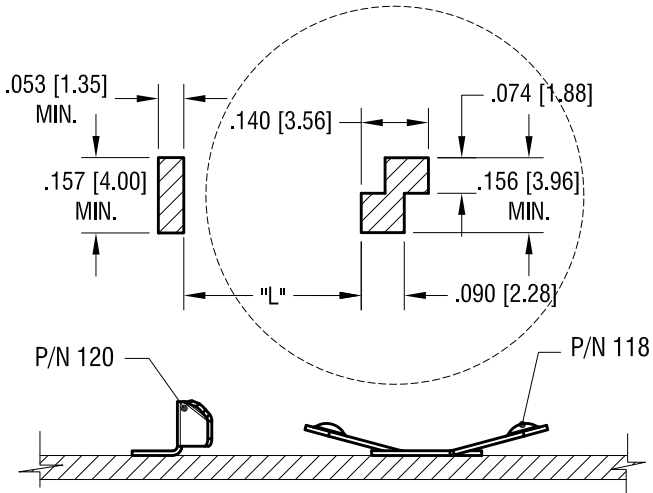
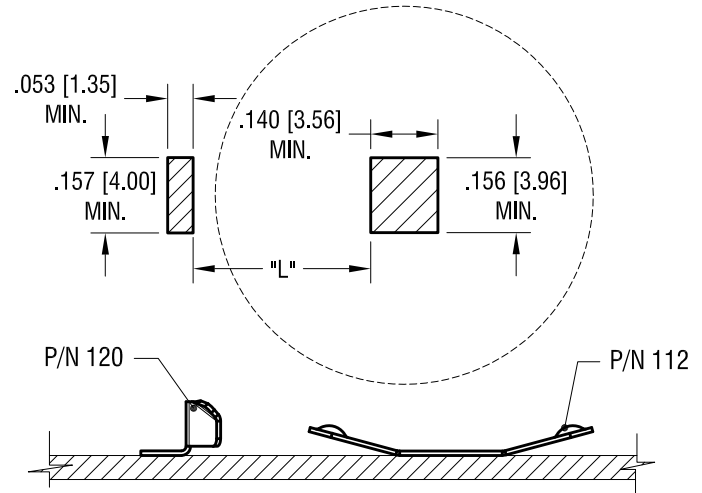


THIS DOCUMENT IS THE PROPERTY OF KEYSTONE ELECTRONICS CORP. AND SHALL NOT BE REPRODUCED, DISTRIBUTED OR USED AS A BASIS FOR MANUFACTURE WITHOUT PRIOR WRITTEN PERMISSION FROM KEYSTONE ELECTRONICS CORP.



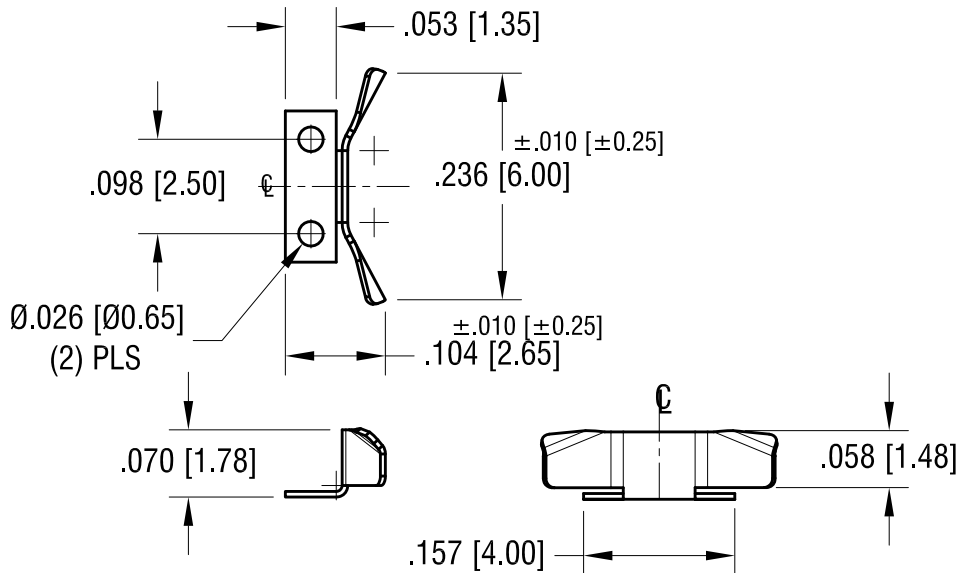
MTG LAY OUT WHEN USE WITH P/N 118

BATTERY DIA.	L
12mm	.178 [4.5]
16mm	.257 [6.5]



MTG LAY OUT WHEN USE WITH P/N 112

BATTERY DIA.	L
20mm	.336 [8.5]
23mm	.395 [10.0]



DATE	DESCRIPTION	REV.
11.09.15	CHANGE AS PER ECN15-132	C
11.02.15	CHANGE AS PER ECN15-129	B
9.21.15	CHANGE AS PER ECR 15-105	A

KEYSTONE ELECTRONICS CORP.
 www.keyelco.com • ASTORIA, N.Y. 11105-2017 • Tel (718) 956-8900

PART NAME: **POSITIVE BATTERY CONTACT**

MATERIAL: **.006 [0.15] TH'K STAINLESS STEEL**

FINISH: **GOLD PLATE**

DRN BY: **NT** DATE: **8.21.15**

APP'D: **LN** SCALE: **5X**

TOLERANCES INCH [MM]
 DECIMAL: **± .005 [± 0.13]**
 ANGULAR: **± 1°**
 UNLESS OTHERWISE SPECIFIED

CODE: **C** DWG NO.: **120**