

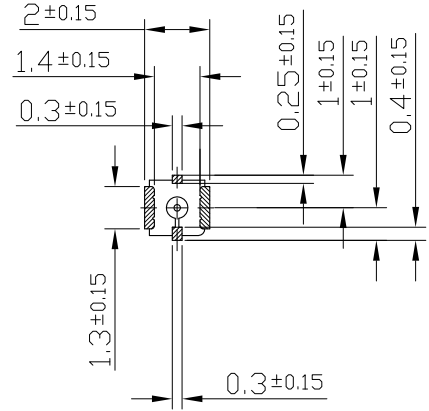
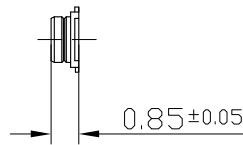
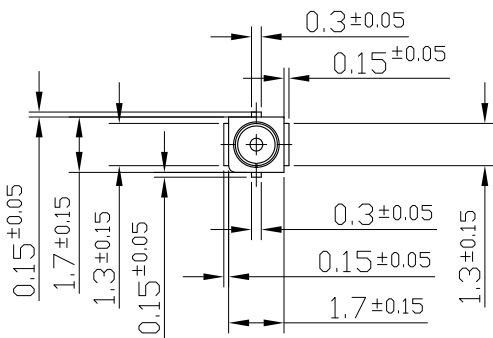
ISD NO: EDW-11-8-536

REV	ZONE	DESCRIPTION	ENG	APPROVED	ISSUED DATE
A	ALL	Initial Design	Kiwi	Joanna	2011/10/3
B	B3	Amend Font type	Kiwi	Joanna	2011/11/9
C	G3	Amend drawing content	Sandy	Joanna	2011/11/16
D	G3	Amend PCS foot print	Raisa	Joanna	2014/04/01
E	G3	Amend PCS foot print	Kim	Wayne	2014/09/12

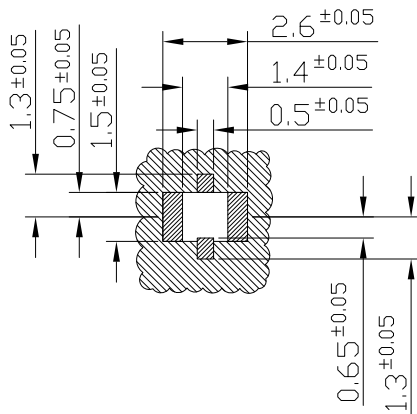
Top

Side

Bottom



PCB Footprint

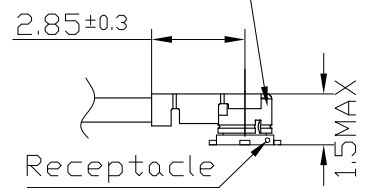


Note:

1. BOM No: 204311J000029A A

Mated View

IPEX MHFIII PLUG



Note:
 1. Soldered Area.
 2. Solder Mask.
 3. Clearance Area.

UNLESS OTHERWISE SPECIFIED TOLERANCES ON:
 .X ± 1.0
 XX ± 5.0 .XX ± 0.5
 X ± 3.0 .XXX ± 0.1

DATE: 2011/10/3

MAT'L: Brass

UNIT: mm

FINISH: Gold

THIRD ANGLE PROJECTION

SCALE: 4/1



This drawing and its inherent design concepts are property of Taoglas. Not to be copied or given to third parties without the written consent of Taoglas.

REV

E

APPROVED BY: CHECKED BY: DRAWN BY: CUSTOMERS SIGNATURE / DATE

Joanna

Jimmy

Kiwi

TITLE: IPEX MHFIII Receptacle

PART NO: RECE.20369.001E.01