

4

3

2

1

THIS DRAWING IS UNPUBLISHED.

RELEASED FOR PUBLICATION

, 19

© COPYRIGHT 19

BY AMP INCORPORATED. ALL RIGHTS RESERVED.

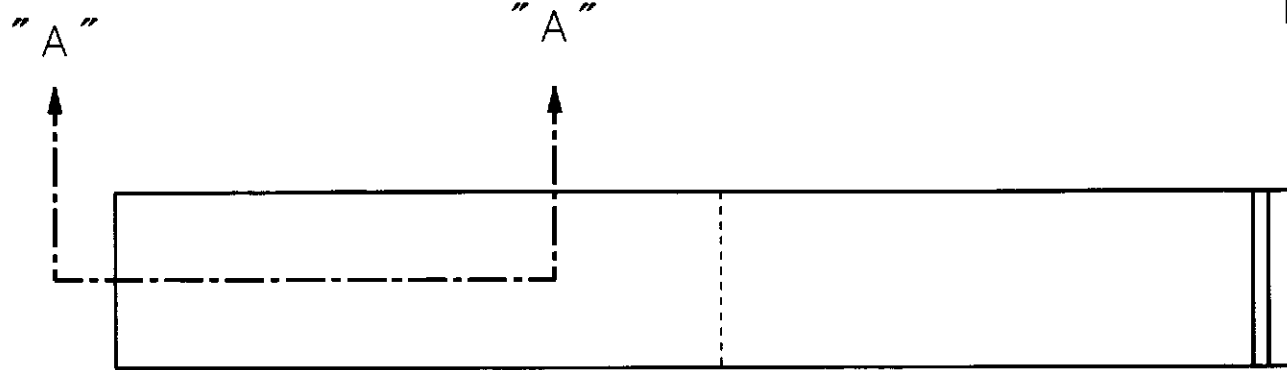
LOC

DISY

REVISIONS

変更

| P | LTR | DESCRIPTION | ECN | DATE | DWN | APVD |
|---|-----|---------------|--------------|----------|-------|------|
| B | | 再作成 (REDRAWN) | FJ00-0036-99 | 8 JAN 99 | R. S. | MS |

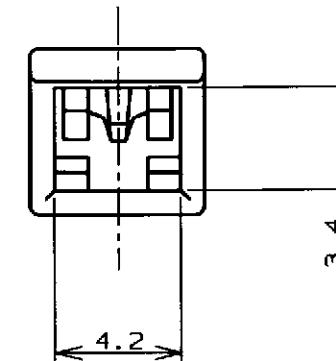
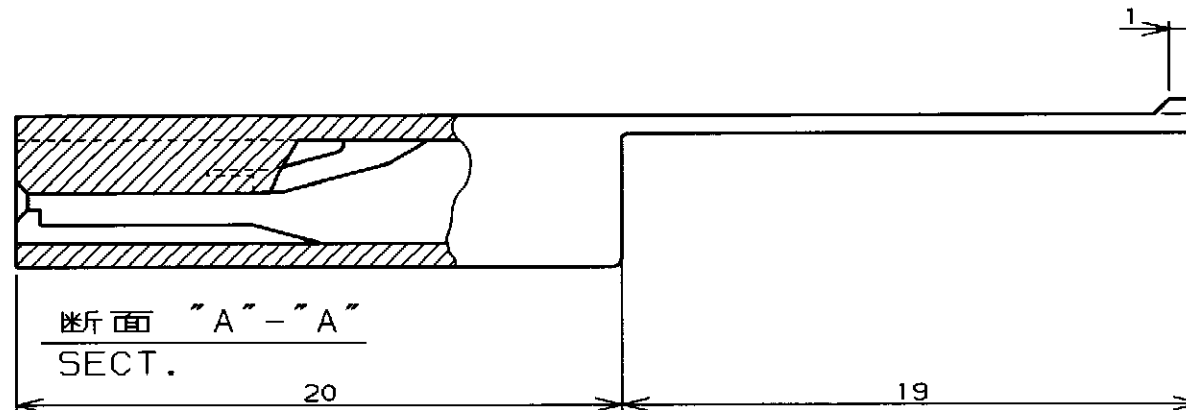
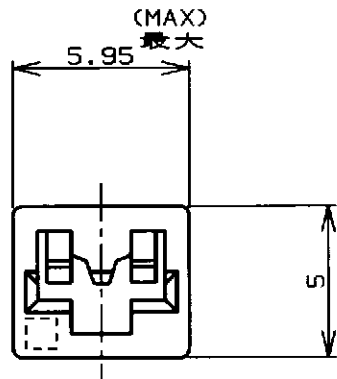


注 ;

- 1. 材料 : 6/6ナイロン UL94V-2
- 2. 適用コンタクト型番 :
連鎖状端子 : 175411-1, 174777-1
バラ状端子 : 175412-1, 174778-1
- 3. 適用引抜治具型番 : 724659-4

NOTES;

- 1. MATERIAL : 6/6NYLON UL94V-2
- 2. APPLICABLE CONTACT P/N :
S.T P/N : 175411-1, 174777-1
L.P P/N : 175412-1, 174778-1
- 3. APPLICABLE EXTRACTION TOOL P/N : 724659-4



| | | |
|--|------------------------|--------------------|
| 6/6ナイロン (6/6NYLON) | 自然色 (NATURAL) | 174779-1 |
| 材料 (MATERIAL) | 色調 (COLOR) | 型番 (P/N) |
| WIRE RANGE 包合電線断面積 | INSULATION DIA 被覆外径 | |
| AMP 日本エー・エム・ジー株式会社 Kawasaki, Japan | | |
| NAME 名称 110 SERISE POSITIVE LOCK MARK-II 1Pos. REC. HOUSING 110 シリーズ・ポジティブロック・マーク II 1極 リセ・ハウジング | | |
| SIZE | CAGE CODE | DRAWING NO 番号 |
| A3 | 00779 | 174779 |
| CUSTOMER DRAWING | | RESTRICTED TO — |
| SCALE 尺度 4:1 | SHEET 1 | OF 1 |
| | | REV B |

| | |
|---|---|
| THIS DRAWING IS A CONTROLLED DOCUMENT FOR AMP INCORPORATED. IT IS SUBJECT TO CHANGE AND THE CONTROLLING ENGINEERING ORGANIZATION SHOULD BE CONTACTED FOR THE LATEST REVISION. | |
| DIMENSIONS: 単位・種 mm | TOLERANCES UNLESS OTHERWISE SPECIFIED 一般公差 10mm : ±0.2 30mm : ±0.25 100mm : ±0.3 ANGLE : ±3° |
| MATERIAL 材料 表参照 SEE TABLE | FINISH 仕上 — |

| | |
|---|------------------------|
| OWN CHK APVD PRODUCT SPEC 製品規格 108-5252 APPLICATION SPEC 取付適用規格 IS-397J WEIGHT 0.47g/EA | 8 JAN '99 8 JAN '99 |
|---|------------------------|