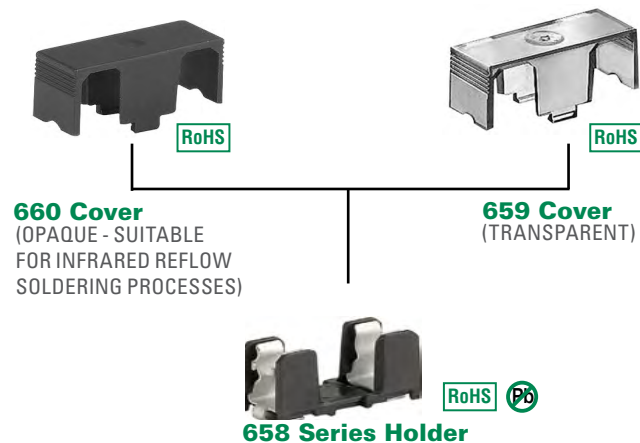
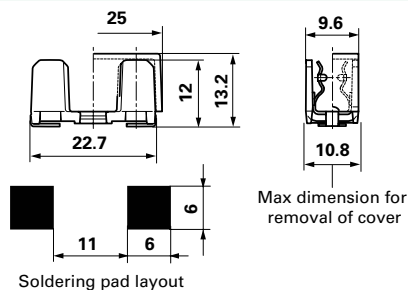


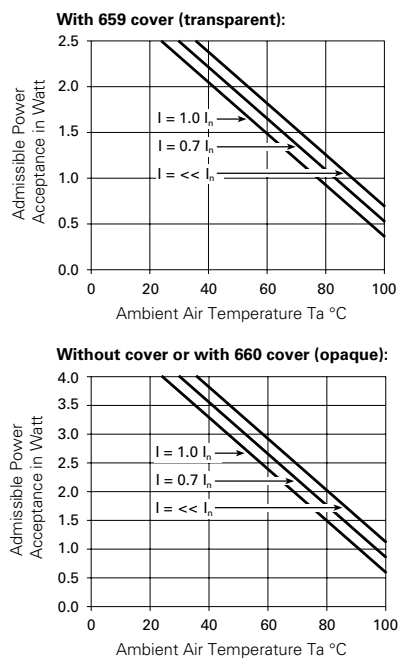
## 658 Series Molded Base Surface Mount Fuse Block For 5x20mm Fuses



### Product Dimensions (millimeter)



### Derating Curves






### Product Characteristics

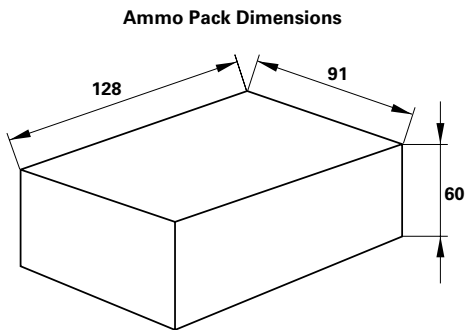
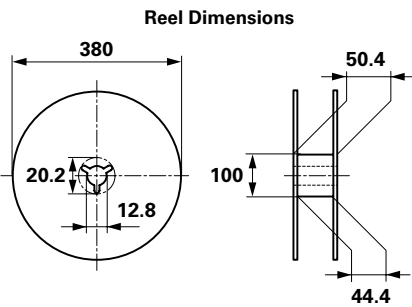
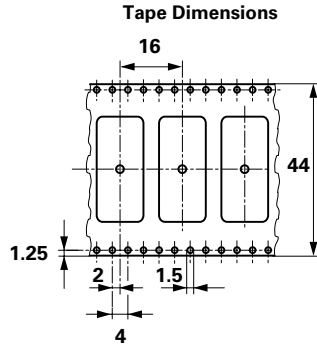
<b>Compatible Fuse</b>	5x20 mm
<b>Materials</b>	<p><b>Clip Frame:</b>                      65800001xxx: UL94 V-0 Black Thermoplastic                      65800003xxx: UL94 V-0 Black LCP                      65800004xxx: UL94 V-0 Black LCP</p> <p><b>Clip Terminals:</b>                      65800001xxx: Tin (Sn) plated copper alloy                      65800003xxx: Tin (Sn) plated copper alloy                      65800004xxx: Gold (Au) plated copper alloy</p>
<b>Electrical Data</b>	<p><b>Rated Voltage:</b>                      250 VAC (VDE);                      250 VAC/DC (UL/CSA)</p> <p><b>Rated Current:</b> 10A</p> <p><b>Rated Power Acceptance</b> (at ambient air temp 23°C):                      - 4W without cover                      - 4W with 660 cover                      - 2.5W with 659 cover</p>
<b>Mounting</b>	SMT. Reflow soldering
<b>Operating Temperature</b>	-40°C to +85°C
<b>Stock Conditions</b>	0°C to +60°C, max 70% Relative humidity
<b>Vibration Resistance</b>	acc. to IEC 60068-2-6, test Fc
<b>Contact Resistance</b>	< 5 mΩ at 20 mV
<b>Dielectric Strength</b>	> 3kV, 50 Hz, 1 min.
<b>Impulse withstand Voltage</b>	> 4 kV between L-N
<b>Insulation Resistance</b>	(500 V DC/1 min): >10 MΩ
<b>Solderability</b>	245 - 260°C / max. 30 sec. acc. to JE-DEC J-STD-020D
<b>Soldering Profile</b>	JEDEC J-STD-020C: - 65800001xxx: 245(+0/-5)°C / 30 sec max. - 65800003xxx: 260(+0/-5)°C / 30 sec max. - 65800004xxx: 260(+0/-5)°C / 30 sec max.

\* Ensure that proper fuse re-rating is factored in fuseholder selection.

### Agency Approval

Agency	Agency File Number
	40001499
	251220 (see ordering info)
	E70164 (see ordering info)

## Packaging Dimensions (millimeter)



## Ordering Information

<b>658 0000 1009</b>	Fuse Holder - Thermoplastic / Tin terminals (100 pcs bulk)
<b>658 0000 1109</b>	Fuse Holder - Thermoplastic / Tin terminals (400 pcs tape & reel)
<b>658 0000 3009*</b>	Fuse Holder - LCP plastic / Tin terminals (100 pcs bulk)
<b>658 0000 3109*</b>	Fuse Holder - LCP plastic / Tin terminals (400 pcs tape & reel)
<b>658 0000 4009*</b>	Fuse Holder - LCP plastic / Gold terminals (100 pcs bulk)
<b>658 0000 4109*</b>	Fuse Holder - LCP plastic / Gold terminals (400 pcs tape & reel)
<b>659 0000 0009</b>	Fuse Holder Cover - Transparent plastic (100 pcs bulk)
<b>660 0000 1009</b>	Fuse Holder Cover - Opaque plastic, suitable for infrared (IR) reflow soldering processes (100 pcs bulk)

\* Not UL Recognized or CSA.

## Additional Information



**Datasheet**  
658 Series



**Resources**  
658 Series



**Samples**  
658 Series



**659 Series**

**Resources**  
659 Series



**Samples**  
659 Series



**660 Series**

**Resources**  
660 Series



**Samples**  
660 Series