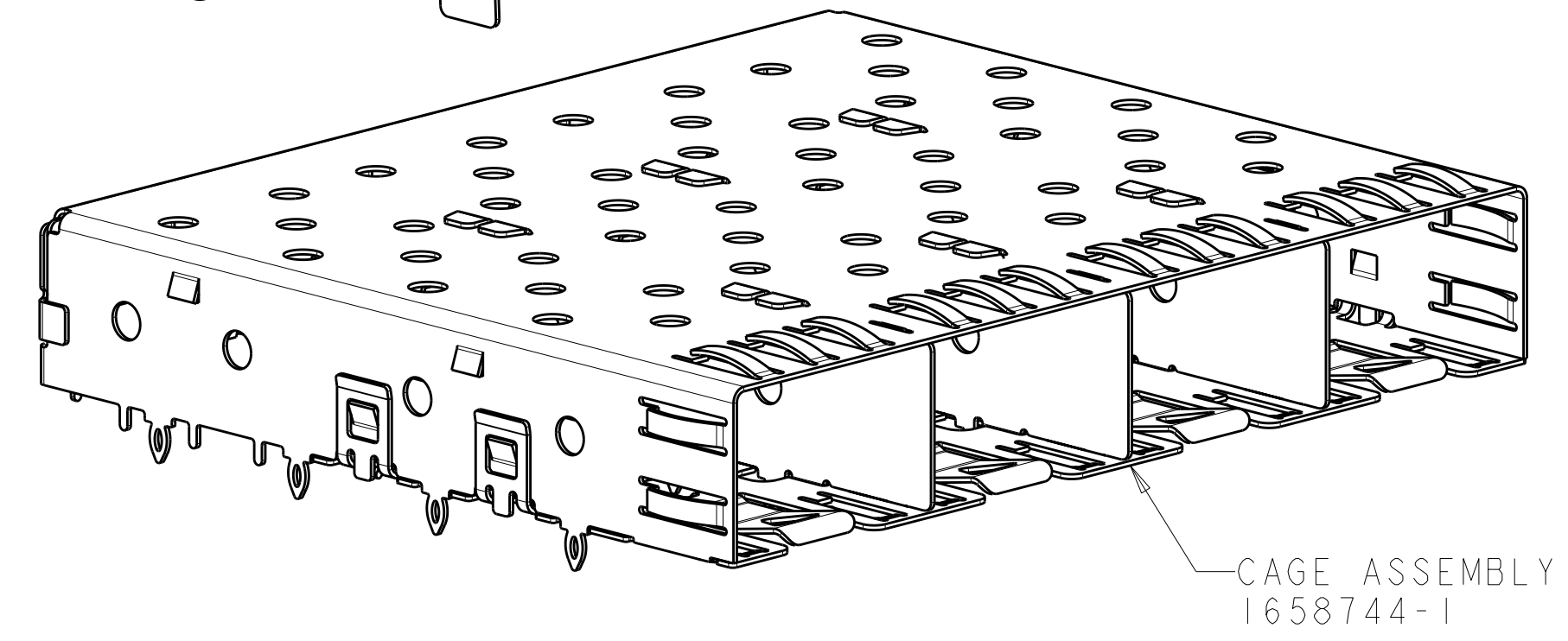
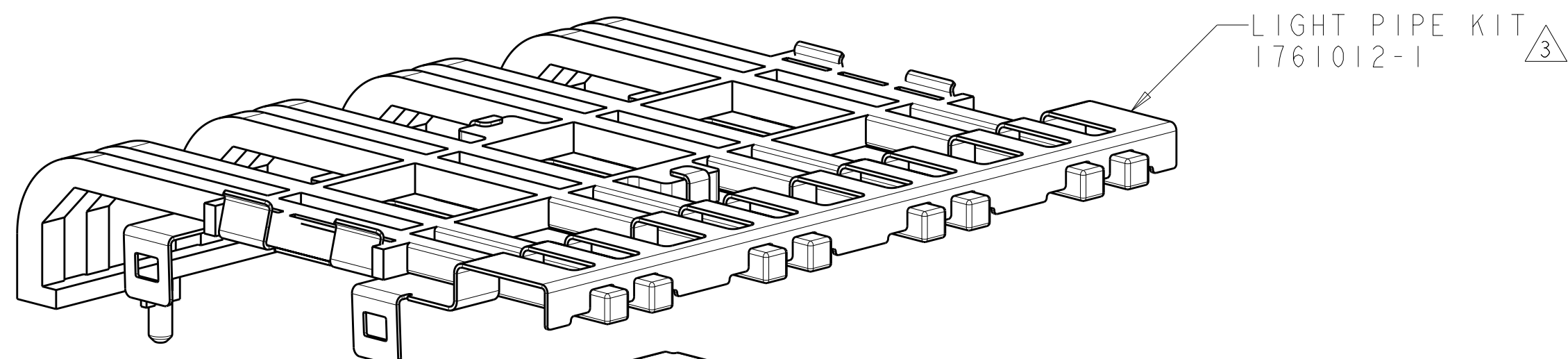
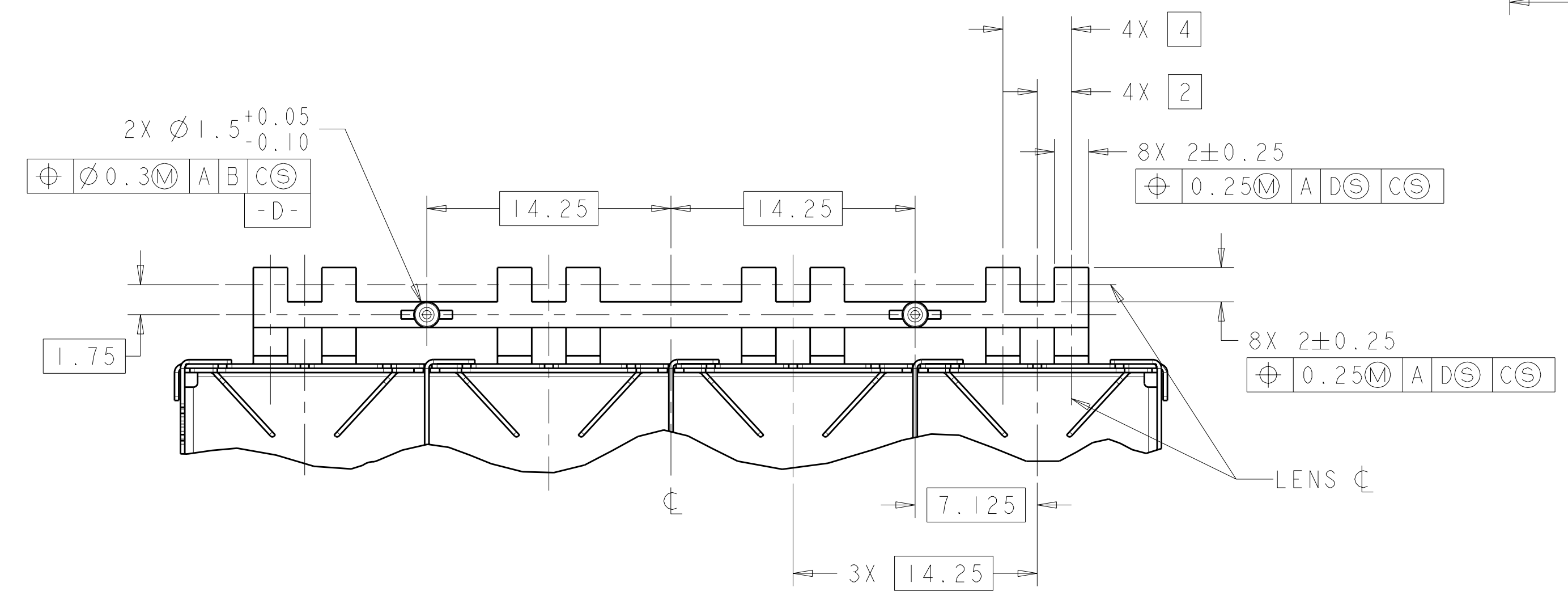
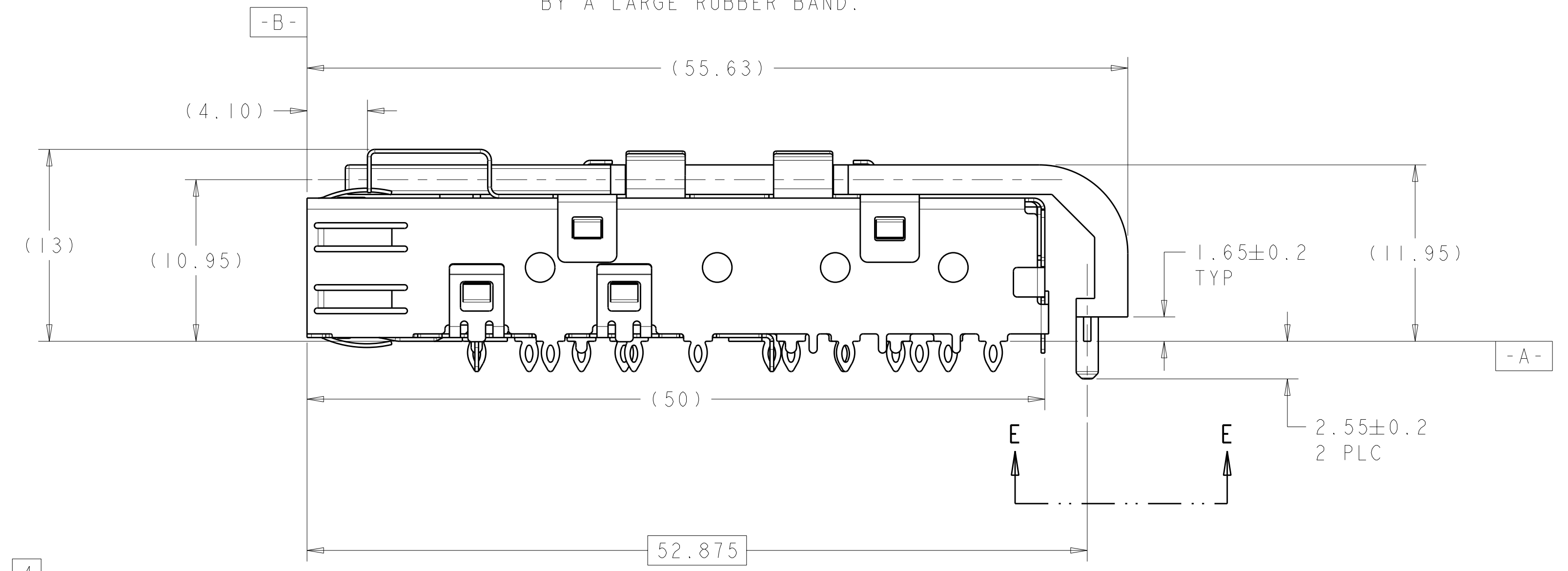
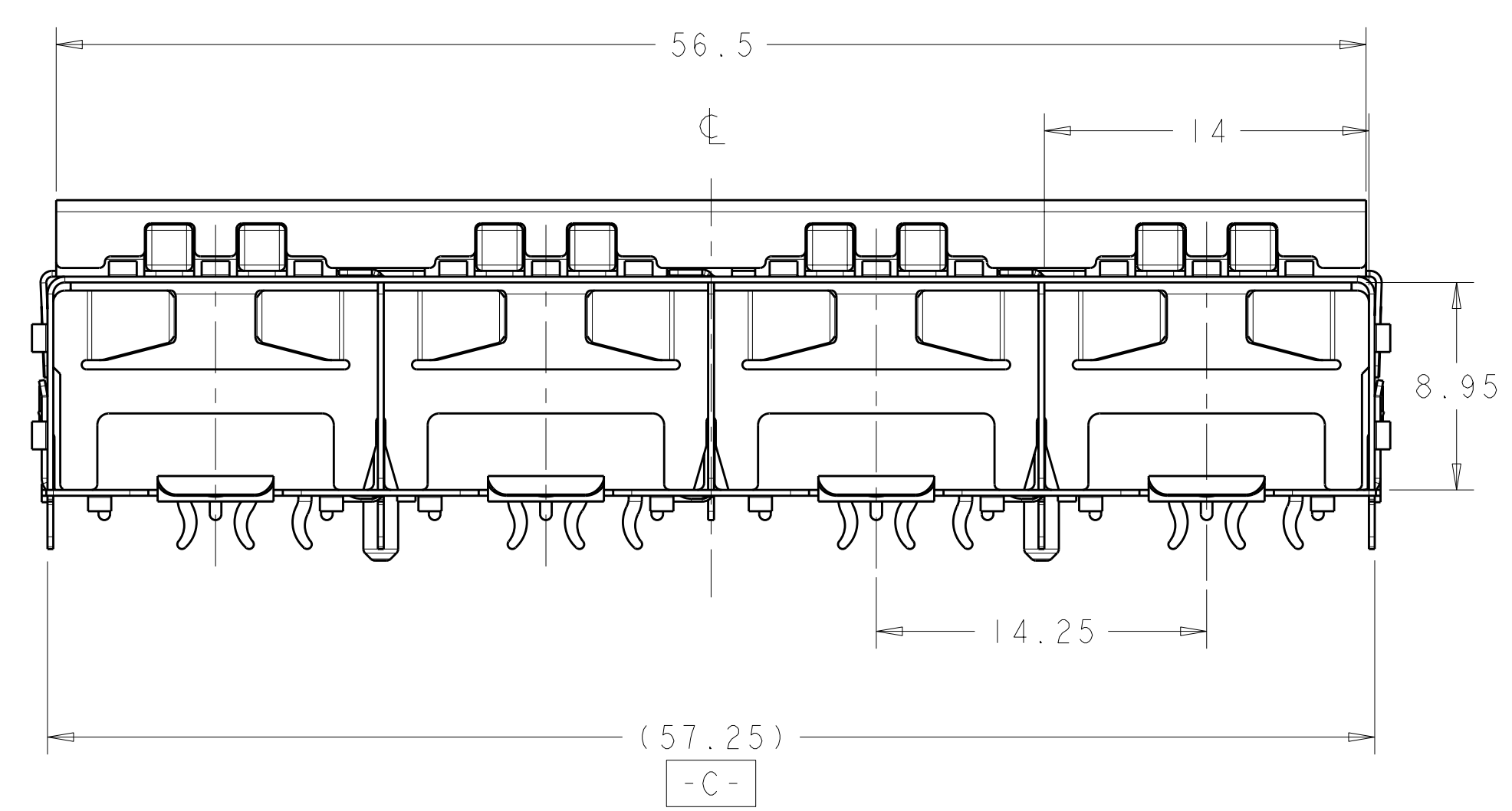


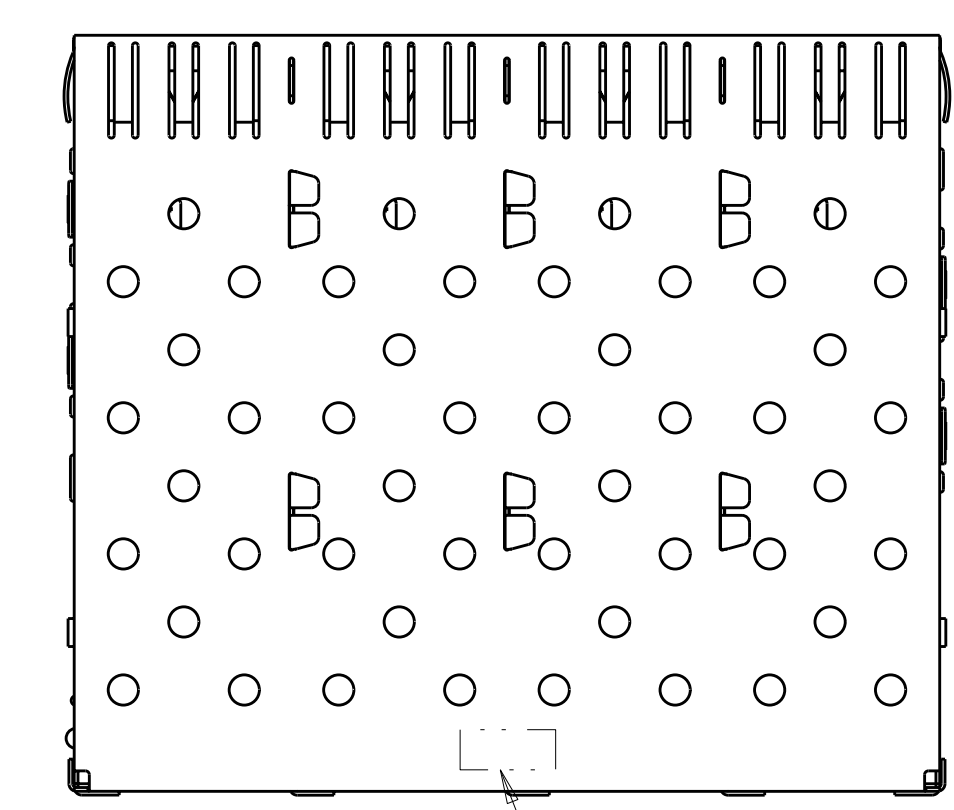
LOC	DIST	REV	DATE	BY	APPV
GP	00	E1	06APR2011	JY	CW
REVISIONS			DESCRIPTION	DATE	DWN
			REVISED PER ECO-11-007052		



1761008-1
SCALE 3:1



VIEW E-E
ROTATED 90° COUNTERCLOCKWISE



- 1 PADS AND VIAS CHASSIS GROUND.
- 2 DATUM AND BASIC DIMENSIONS ESTABLISHED BY CUSTOMER.
- 3 LIGHT PIPE KIT WHICH IS SEPARATE FROM THE CAGE ASSEMBLY. KIT TO BE ATTACHED AFTER SEATING OF 1658744-1 ON PCB.
- 4 LABEL ON CAGE WILL HAVE PART NUMBER 1658744-1.
- 5 REFERENCE STYLE 1 ON APPLICATION SPECIFICATION 114-13165 FOR ADDITIONAL INFORMATION ON CAGE ASSEMBLIES WITH LIGHT PIPES.
- 6 REFERENCE APPLICATION SPEC 114-13120, HOLE A, FOR RECOMMENDED DRILL HOLE DIAMETER AND PLATING THICKNESSES.
- 7 REFERENCE APPLICATION SPEC 114-13120, HOLE B, FOR RECOMMENDED DRILL HOLE DIAMETER AND PLATING THICKNESSES.
- 8 PATTERN REPEATS FOR EACH PORT. SPACING BETWEEN PORTS IS 14.25mm.
- 9 MINIMUM PC BOARD THICKNESS = 1.50mm.
- 10 COMPANY LOGO IN APPROXIMATE AREA SHOWN.
- 11 BOX WILL CONTAIN TRAYS OF CAGES AND TRAYS OF LIGHT PIPE ASSEMBLIES.
- 12 BOX WILL CONTAIN TRAYS OF CAGES AND TRAYS OF LIGHT PIPE ASSEMBLIES. ONE TRAY OF CAGE AND ONE TRAY OF LIGHT PIPE ASSEMBLIES WILL BE HELD BY A LARGE RUBBER BAND.

PACKAGE	DESCRIPTION	PART NO.
12	1X4 ASSEMBLY	1761008-2
11	1X4 ASSEMBLY	1761008-1

THIS DRAWING IS A CONTROLLED DOCUMENT. DIMENSIONS: mm TOLERANCES UNLESS OTHERWISE SPECIFIED: 9 PLC ±0.1 1 PLC ±0.1 3 PLC ±0.10 5 PLC ±0.100 4 PLC ± ANGLES ±°30' MATERIAL: FINISH:		DWN: W. VAN SCOOC 02FEB2004 CHY: M. PHILLIPS 02FEB2004 APVD: M. PHILLIPS 02FEB2004 NAME: SFP PRODUCT SPEC: 108-1950 APPLICATION SPEC: 114-13120 WEIGHT: CUSTOMER DRAWING	SFP 1X4 CAGE ASSEMBLY WITH LIGHT PIPE SIZE: A100779 CAGE CODE: C=1761008 DRAWING NO: 1761008-1 SHEET 1 OF 3 REV: E1
--	--	---	---

