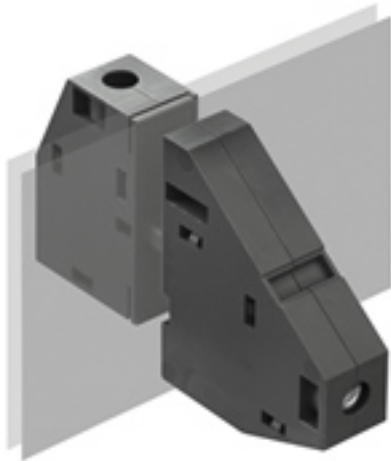


OMNIMATE Power - series WGK WGKV 25 gn/ye

Weidmüller Interface GmbH & Co. KG
 Klingenbergstraße 16
 D-32758 Detmold
 Germany
 Fon: +49 5231 14-0
 Fax: +49 5231 14-292083
 www.weidmueller.com



The WGK finger-proof-insulated enclosures are especially suitable as industrial electronic enclosures for frequency converters, power supplies or filter components which offer a convenient and reliable form of connection internally and externally.

General ordering data

Order No.	1936720000
Type	WGKV 25 gn/ye
Version	OMNIMATE Power - series WGK, Feedthrough terminal, Rated cross-section: 25 mm ² , Screw connection, green / yellow, Direct mounting, Feedthrough (bushing)
GTIN (EAN)	4032248664597
Qty.	25 pc(s).

OMNIMATE Power - series WGK
WGKV 25 gn/ye

Weidmüller Interface GmbH & Co. KG
 Klingenbergstraße 16
 D-32758 Detmold
 Germany
 Fon: +49 5231 14-0
 Fax: +49 5231 14-292083
 www.weidmueller.com

Technical data**Dimensions and weights**

Length	75.75 mm	Width	15.1 mm
Height	54 mm	Height of lowest version	54 mm
Net weight	67.08 g		

2 clampable conductors with identical cross-section

Wire connection cross section AWG, max.	AWG 3	Wire connection cross section AWG, min.	AWG 10
---	-------	---	--------

Additional connection

Blade size	1.2 x 6.5 mm	Clamping screw	M 6
Rated current	101 A	Tightening torque, max.	4.5 Nm
Tightening torque, min.	4 Nm		

Conductors suitable for clamping

Cross-section for connected conductor, finely stranded with wire-end ferrules and plastic collars DIN 46228/4, rated connection, min.	10 mm ²	Twin wire-end ferrules, max.	10 mm ²
Twin wire-end ferrules, min.	2.5 mm ²	Wire connection cross section AWG, max.	AWG 3
Wire connection cross section AWG, min.	AWG 10	Wire connection cross section, finely stranded with wire-end ferrules DIN 46228/1, rated connection, max.	25 mm ²
Wire connection cross section, finely stranded with wire-end ferrules DIN 46228/1, rated connection, min.	4 mm ²	Wire connection cross section, finely stranded, max.	25 mm ²
Wire connection cross section, solid core max. rated connection	16 mm ²	Wire connection cross section, solid core, max. rated connection	6 mm ²
Wire connection cross section, stranded, rated connection, max.	35 mm ²	Wire connection cross section, stranded, rated connection, min.	10 mm ²
Wire connection cross-section, finely stranded with wire-end ferrules and plastic collars DIN 46228/4, rated connection, max.	25 mm ²	Stripping length	18 mm

Rated data to IEC

Current at maximum wires	125 A	Pollution severity	3
Rated cross-section	25 mm ²	Rated current	101 A
Rated impulse withstand voltage	6 kV	Rated voltage	690 V
Standards	IEC 60947-7-1		

Technical data

Blade size	1.2 x 6.5 mm	Clamping range, rated connection, max.	35 mm ²
Clamping range, rated connection, min.	5.26 mm ²	Clamping screw	M 6
Gauge to IEC 60947-1	B8	Number of connections	2
Stripping length, rated connection	18 mm	Tightening torque, max.	4.5 Nm
Tightening torque, min.	4 Nm		

**OMNIMATE Power - series WGK
WGKV 25 gn/ye**

Weidmüller Interface GmbH & Co. KG
Klingenbergstraße 16
D-32758 Detmold
Germany
Fon: +49 5231 14-0
Fax: +49 5231 14-292083
www.weidmueller.com

Technical data

Technical specification

Colour of insulating material	green / yellow	Connection direction	Bottom
Installation advice	Direct mounting, Feed-through (bushing)	Product family	OMNIMATE Power - series WGK
Type of mounting	Direct mounting		

CSA ratings data

Certificate No. (CSA)	200039-1830694	Wire cross section max. (CSA)	3 AWG
Wire cross section min. (CSA)	8 AWG		

UL ratings data

Certificate No. (cURus)	E60693VOL1SEC84	Conductor size Factory wiring max. (cURus)	3 AWG
Conductor size Factory wiring min. (cURus)	10 AWG	Conductor size Field wiring max. (cURus)	3 AWG
Conductor size Field wiring min. (cURus)	10 AWG		

Material data

Material	Wemid	Colour	Green, Yellow
UL 94 flammability rating	V-0		

Classifications

ETIM 3.0	EC001283	UNSPSC	30-21-18-11
eClass 5.1	27-14-11-34	eClass 6.2	27-14-11-34
eClass 7.1	27-14-11-34		

Notes

Notes

Approvals

Approvals



ROHS Conform

**OMNIMATE Power - series WGK
WGKV 25 gn/ye**

Weidmüller Interface GmbH & Co. KG
Klingenbergstraße 16
D-32758 Detmold
Germany
Fon: +49 5231 14-0
Fax: +49 5231 14-292083
www.weidmueller.com

Drawings