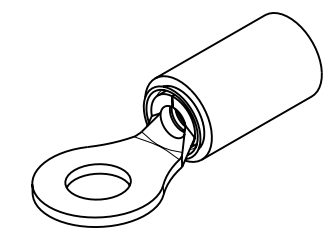
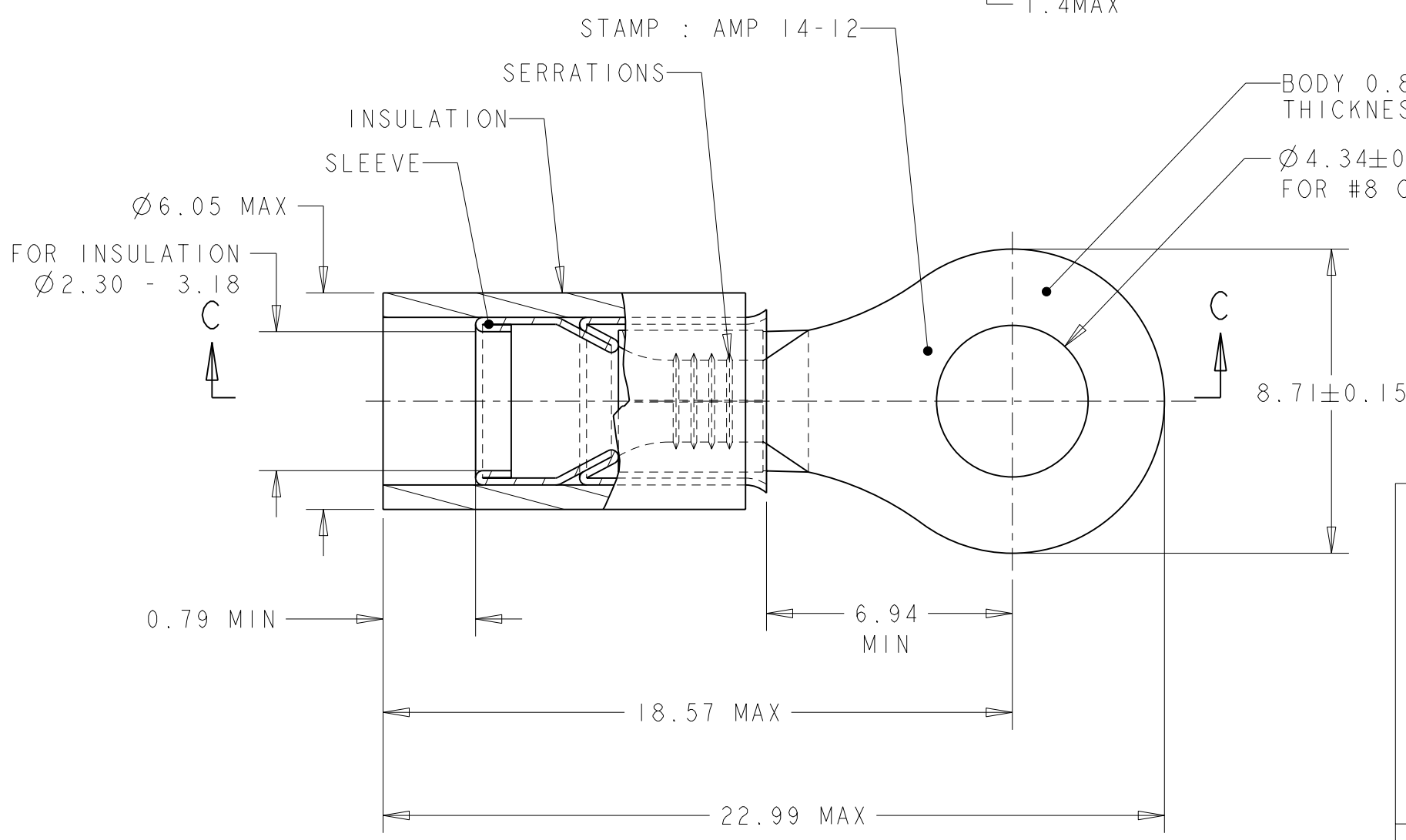
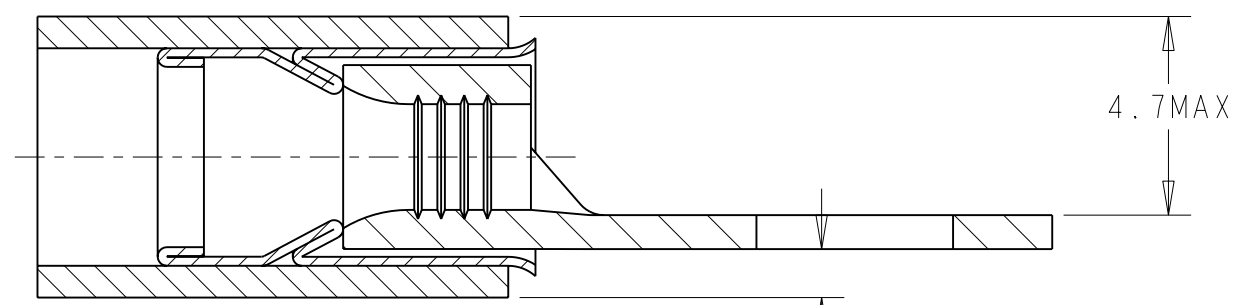


THIS DRAWING IS UNPUBLISHED. RELEASED FOR PUBLICATION 20  
 © COPYRIGHT 20 BY TYCO ELECTRONICS CORPORATION. ALL RIGHTS RESERVED.

LOC	DIST	REVISIONS			
P	LTR	DESCRIPTION	DATE	DWN	APVD
F	00	B	ECR 07-025006	29OCT2007	JT GR

COUPE C-C



SCALE 2:1

WIRE TERMINAL	1577639-1	BODY : COPPER ANNEALED FINISH : NICKEL PLATED
		SLEEVE : COPPER ANNEALED FINISH : NICKEL PLATED
		INSULATION : PEEK COLOR : BEIGE
DESCRIPTION	PART NUMBER	MATERIAL & FINISH

THIS DRAWING IS A CONTROLLED DOCUMENT FOR TYCO ELECTRONICS CORPORATION. IT IS SUBJECT TO CHANGE AND THE CONTROLLING ENGINEERING ORGANIZATION SHOULD BE CONTACTED FOR THE LATEST REVISION.		DWN JJ. DESPRETZ 22FEB2006	Tyco Electronics France SAS 95300 Pontoise, France	
DIMENSIONS: mm		CHK G. ROBERT 22FEB2006		
TOLERANCES UNLESS OTHERWISE SPECIFIED:		APVD Y. PETRONIN 22FEB2006	NAME TERMINAL, PEEK PIDG STRATO, 14-12 AWG	
0 PLC ±-		PRODUCT SPEC 108-15356	RESTRICTED TO	
1 PLC ±0.3		APPLICATION SPEC 114-15102	SIZE A3	CAGE CODE 00779
2 PLC ±-		WEIGHT 1,21 gr	DRAWING NO C-1577639	REV B
3 PLC ±-		CUSTOMER DRAWING		
4 PLC ±-		SCALE 6:1 SHEET 1 OF 1		
ANGLES ±5				
FINISH SEE TABLE				