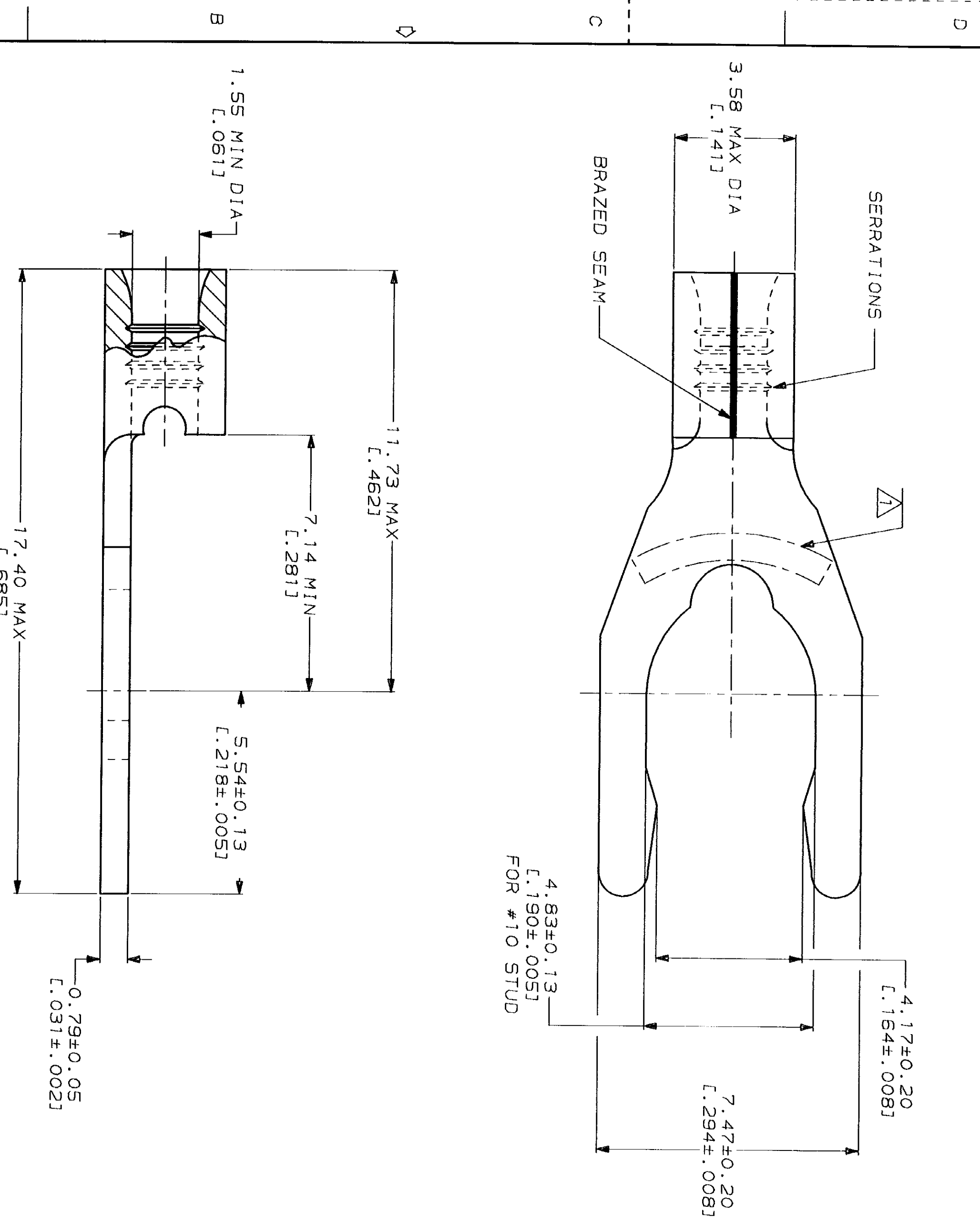


LOC	DIST	ZONE	LTR	DESCRIPTION	DATE	APPD
G	14	P	B	REV & REDRAWN PER 0720-0040-93	3-29-93	18 DAP

METRIC
 DIMENSIONS LISTED IN mm [INCHES]

AMP WIRE RANGE	UL E13288 Listed
22-16 AWG SOLID OR STRANDED	22-16 AWG SOLID OR STRANDED
LR7189 Certified	MILITARY P/N AND CLASS
22-16 AWG SOLID OR STRANDED	NOT APPLICABLE

⚠ STAMP 105 AMP 22-18* APPROX AS SHOWN
 22-16 TERMINALS ARE STAMPED 22-18 IN
 ACCORDANCE WITH MILITARY SPECIFICATION
 MIL-T-7928, COMMERCIAL WIRE RANGE IS 22-16
 105 INDICATES STUD SIZE



AMP INCORPORATED
CUSTOMER SERVICE SYSTEMS

FOR ADDITIONAL PRODUCT INFORMATION OR COPIES OF DRAWINGS AND TECHNICAL DOCUMENTS	PRODUCT INFORMATION CENTER 1-800-522-6752	MAX RECOMMENDED OPERATING TEMPERATURE: 170°C MAX
FOR APPLICATION TOOLING INFORMATION	TOOLING ASSISTANCE CENTER 1-800-722-1111	VOLTAGE RATING: NOT APPLICABLE
FOR ORDER ENTRY	1-800-526-5142	WIRE CROSS SECTIONAL AREA RANGE: 0.26-1.65mm ² [509-3,260] CIR MILS SOLID OR STRANDED

DO NOT SCALE PRINT. UNLESS SPECIFIED DIMENSIONS IN mm [INCHES] TOLERANCES ON: 2 PLC DEC # - 3 PLC DEC # - ANGLES # -	DR 3-29-93 TA BRINKMAN CHK 3-29-93 DA PATTERSON APPD 3-29-93 DE MILLER APPD 3-29-93 JL MECKLEY PRODUCT SPEC
FINISH TIN PLATE 0.00254 [L.000100] MIN THK PER MIL-T-10727	APPLICATION SPEC WEIGHT -

5000	ON TAPE	53832-2
---	LOOSE PIECE	53832-1
QUANTITY	PACKAGING TYPE	PART NO

AMP
 AMP Incorporated
 Harrisburg, PA 17105-3608

TERMINAL, SHORT
 SPRING SPADE, SOLISTRAND™

SIZE	CAGE CODE	DRAWING NO
C	00779	C=53832
SCALE	10:1	SHEET