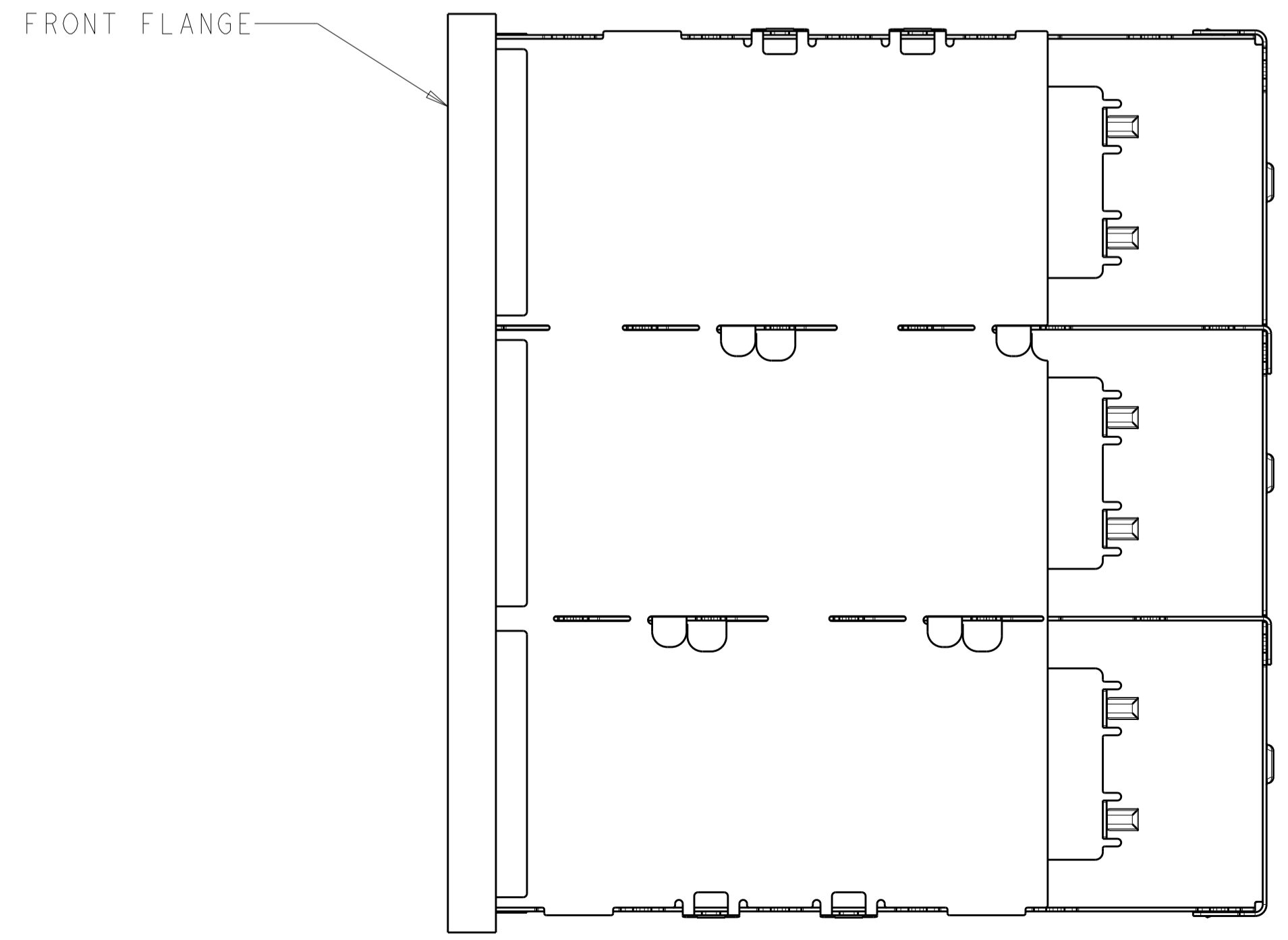
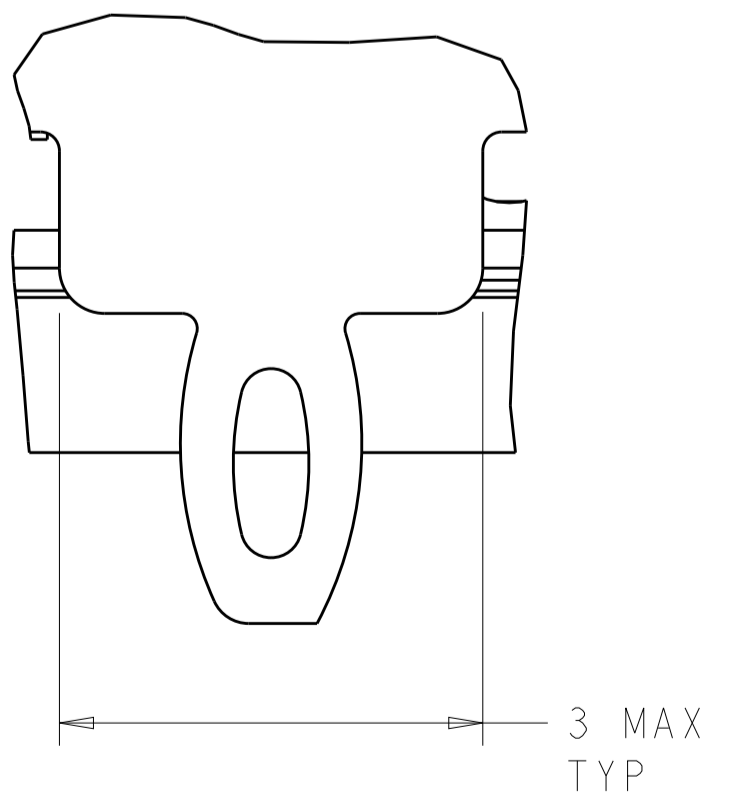
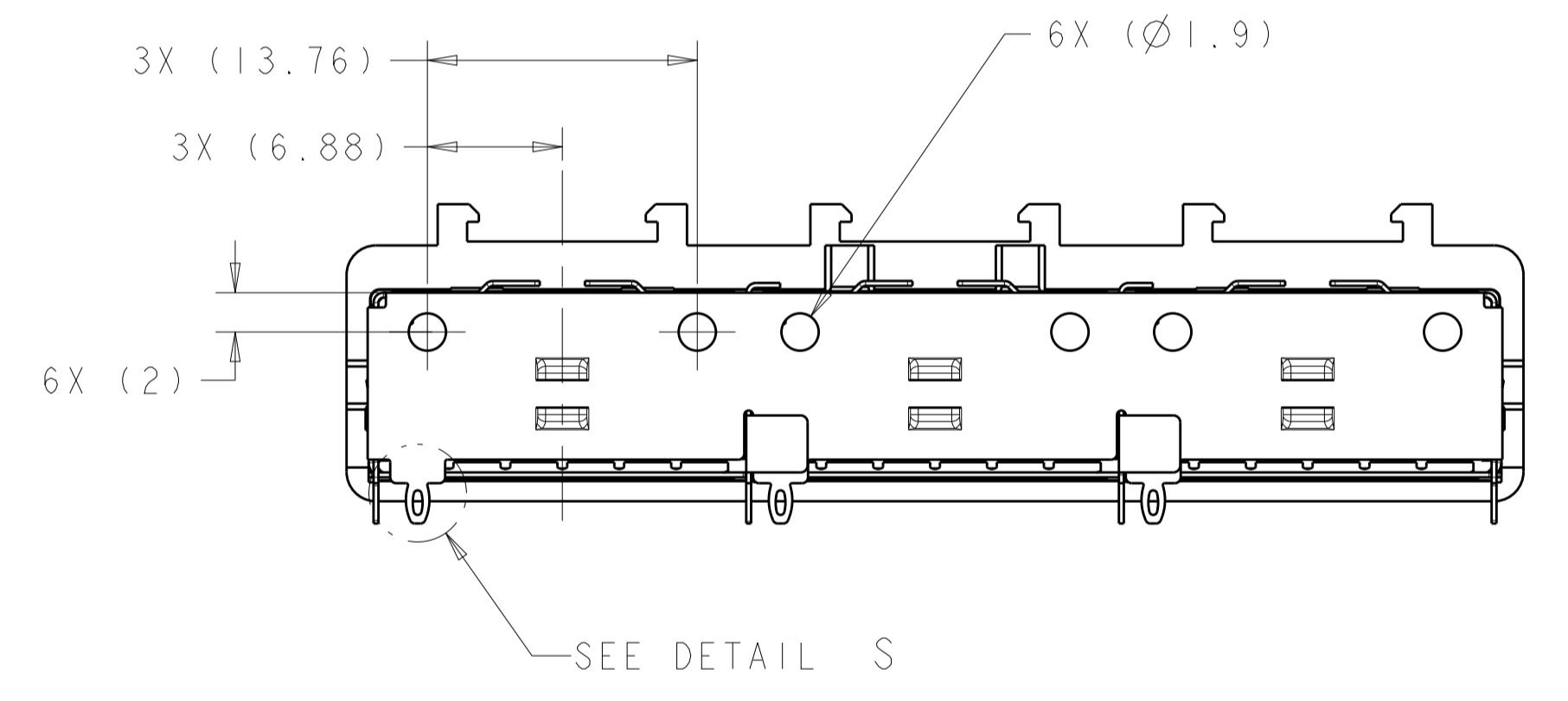
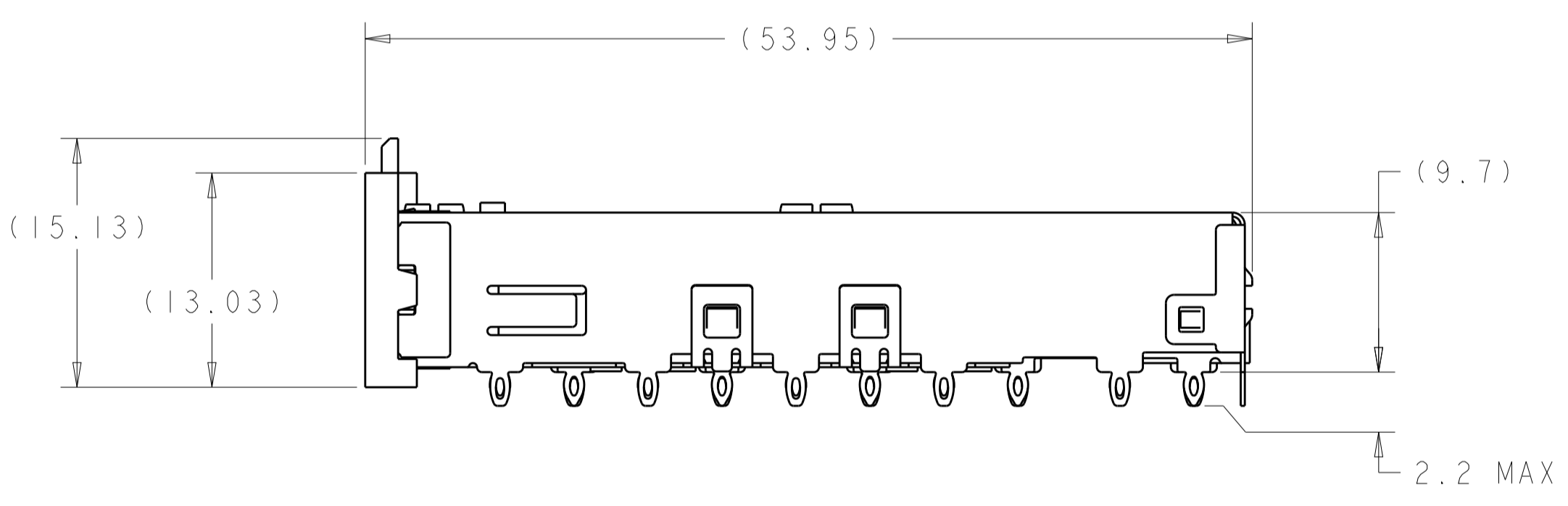
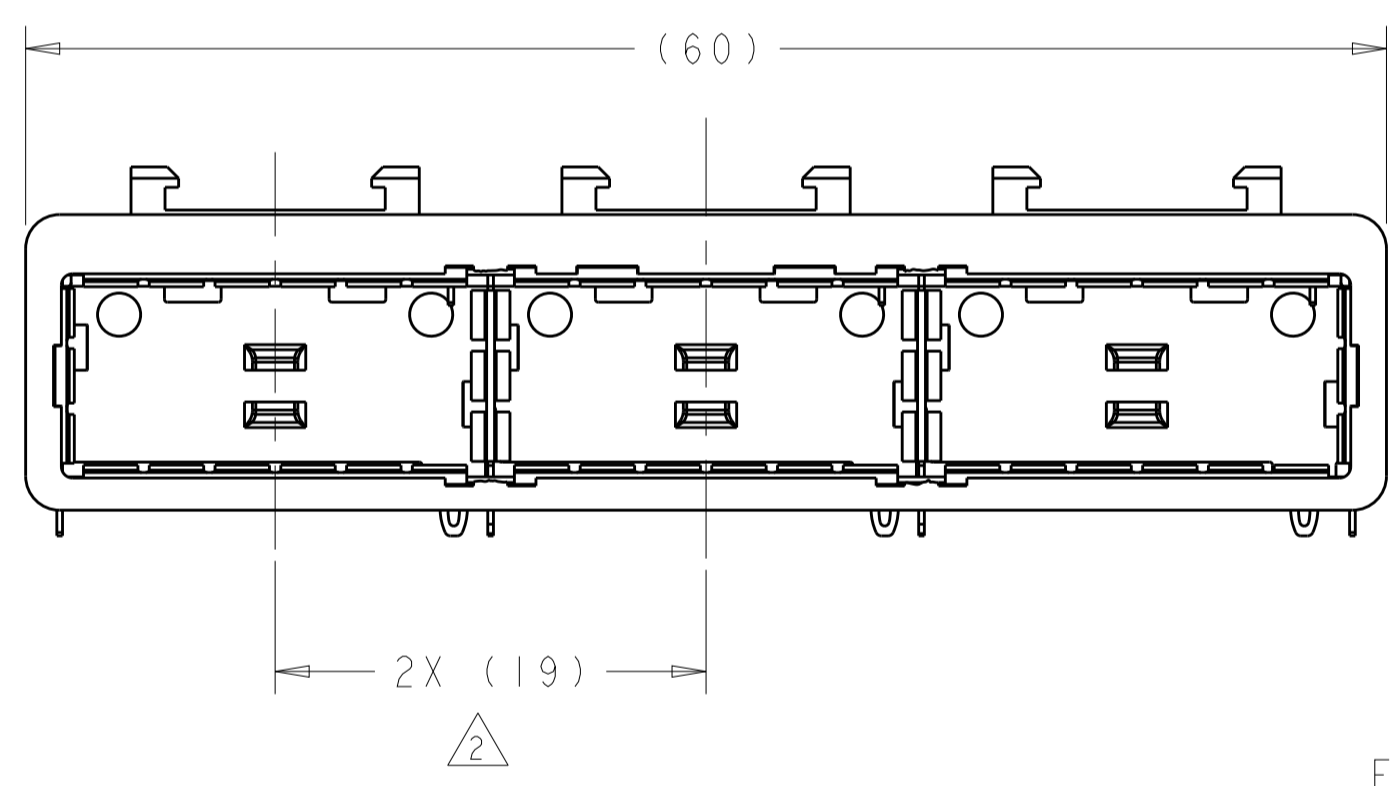
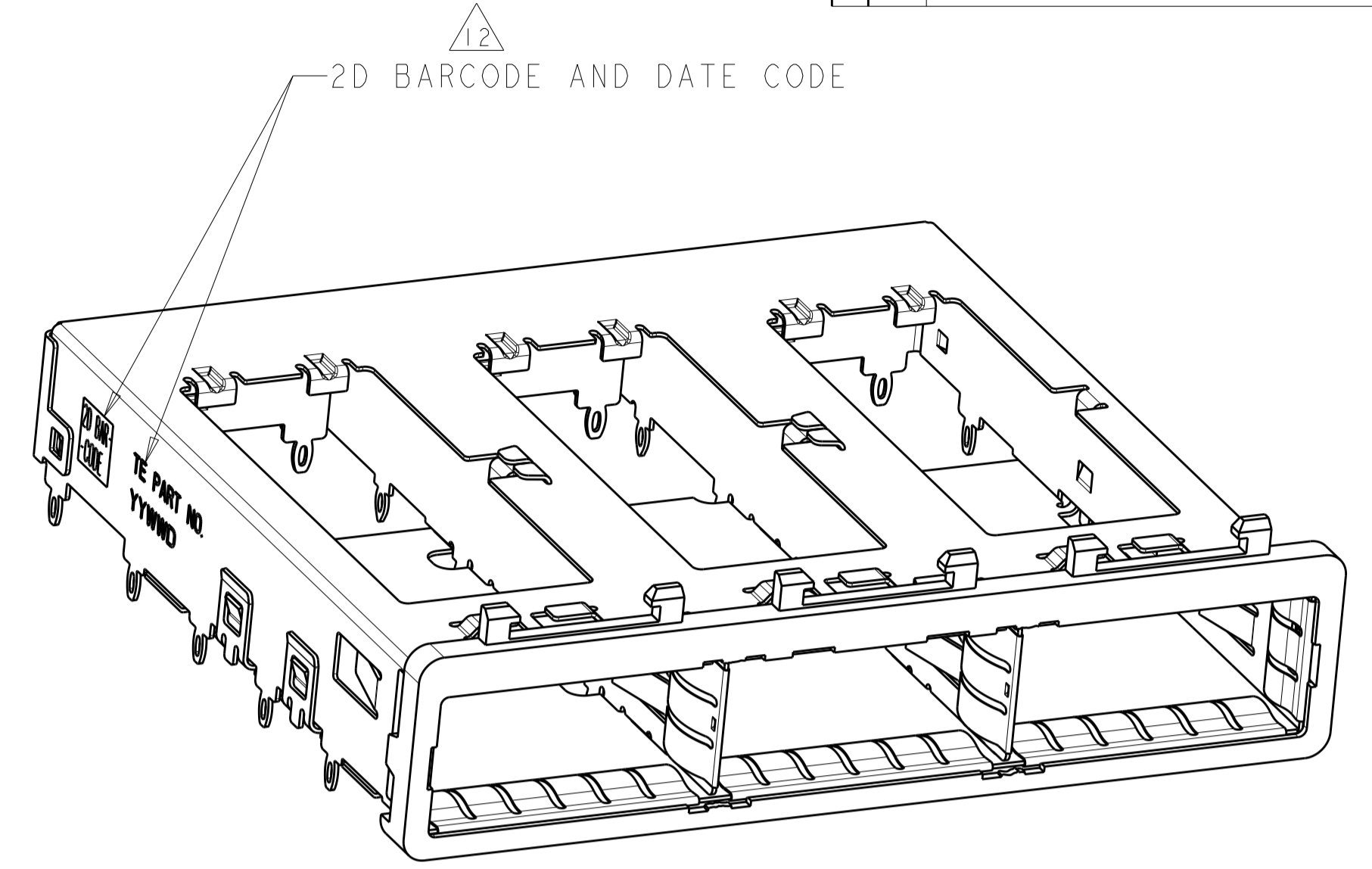
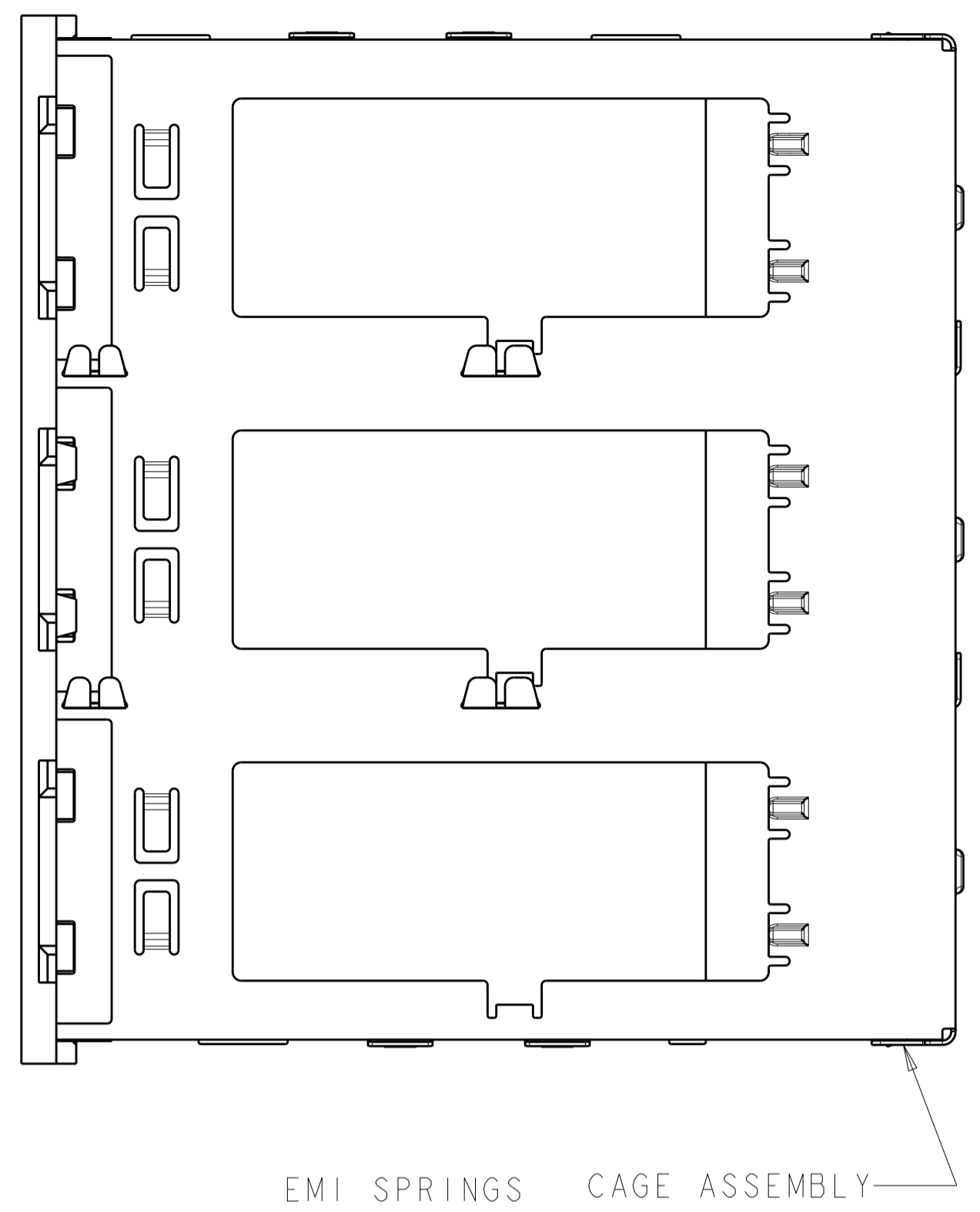


REVISIONS				
P.	LTN.	DESCRIPTION	DATE	APVD.
D		REVISED PER ECO-15-000148	24FEB2015	RG MC

- 1 SURFACE TRACES PERMITTED WITHIN THIS AREA EXCEPT WHERE CAGE STANDOFFS, SHOWN IN DETAIL S, CONTACT PC BOARD.
- 2 PITCH BETWEEN PORTS OF ONE 1X3 CAGE ASSEMBLY.
- 3 SPACING BETWEEN CAGES ON THE SAME PC BOARD, TO BE SPECIFIED BY CUSTOMER, MUST COMPLY WITH MINIMUM DIMENSIONS SHOWN.
- 4 REFERENCE APPLICATION SPEC 114-13218 FOR RECOMMENDED DRILL HOLE DIAMETER AND PLATING THICKNESS.
- 5 UNPLATED THRU HOLE.
- 6 DATUMS AND BASIC DIMENSIONS ESTABLISHED BY CUSTOMER.
- 7 DATUM -A- IS TOP SURFACE OF PC BOARD.
- 8 DIMENSION C IS THE NOMINAL THICKNESS OF CUSTOMER SUPPLIED PC BOARD.  
 MINIMUM PC BOARD THICKNESS:  
 SINGLE SIDED = 1.45mm  
 DOUBLE SIDED = 2.2mm PER QSFP
- 9. MATES WITH QSFP MSA COMPATIBLE TRANSCEIVER.
- 10 BASELINE FOR THESE DIMENSIONS IS THE CENTER OF COMPLIANT PIN HOLE.
- 11 LED ON HOST BOARD. QUANTITY, POSITION AND GEOMETRY DEPENDS ON CHOICE OF LIGHT PIPES.
- 12 2D BARCODE AND DATE CODE (YYWW) MARKED APPROXIMATELY AS SHOWN.
- 13 REFERENCE APP SPEC 114-13218 FOR GASKET THICKNESS CALCULATION.
- 14 MATERIAL:  
 CAGE ASSEMBLY: NICKEL SILVER, 0.25 THICK  
 EMI SPRINGS: COPPER ALLOY  
 FRONT FLANGE: ZINC ALLOY.
- 15 FINISH:  
 EMI SPRINGS: 2µm MINIMUM TIN  
 FRONT FLANGE: 3µm MINIMUM TIN OVER 1.27µm MINIMUM NICKEL OVER 5.08µm MINIMUM COPPER.

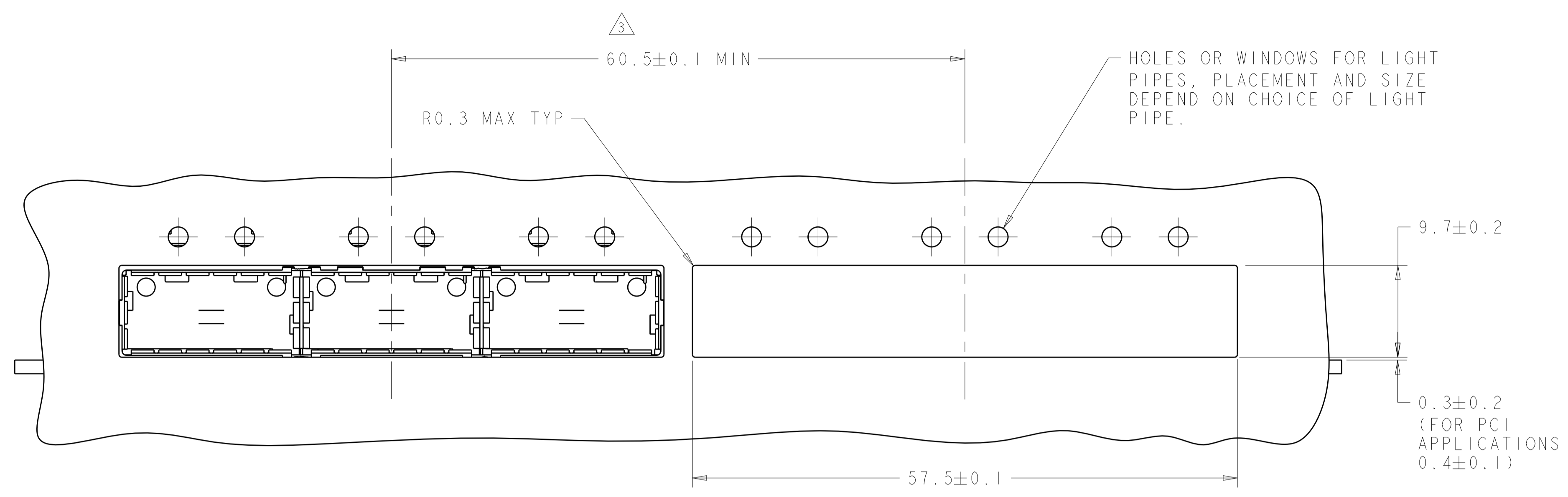


DETAIL S  
 SCALE 20:1

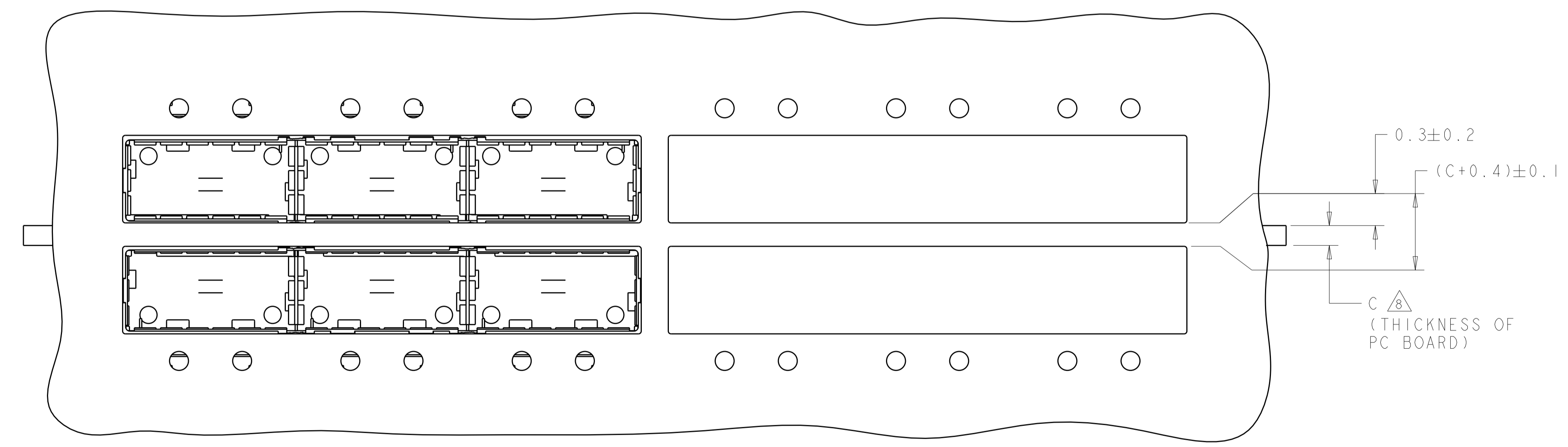
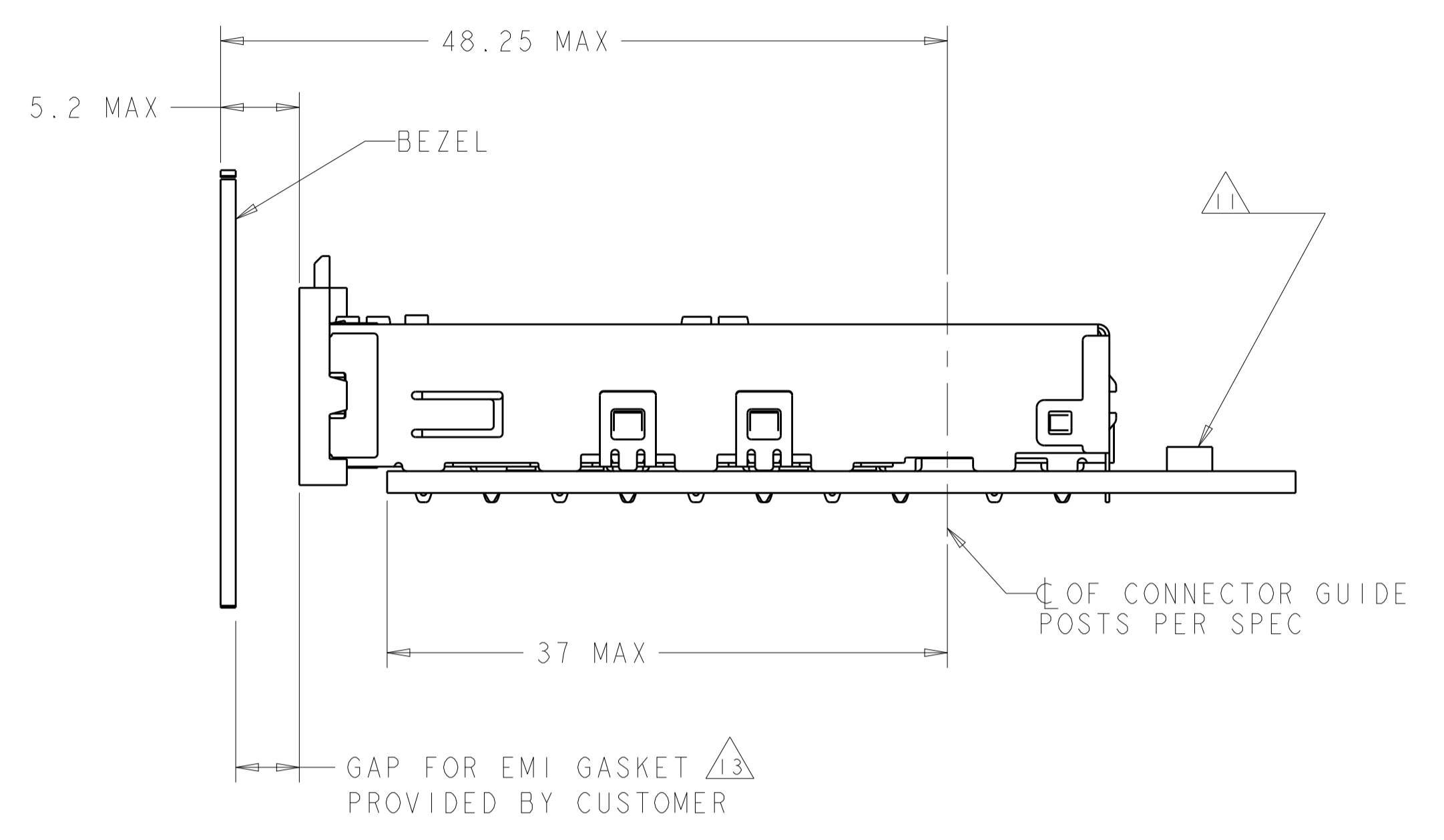
2007473-1  
 PART NUMBER

THIS DRAWING IS A CONTROLLED DOCUMENT.		DWN: C. VALENTINE CHK: E. BRIGHT APVD: E. BRIGHT	Z1NOV2007 Z1NOV2007 Z1NOV2007	TE Connectivity NAME: 1X3 CAGE ASSEMBLY, W/ LIGHT PIPE BRACKET, BEHIND BEZEL, QSFP PRODUCT SPEC: 108-2286 APPLICATION SPEC: 114-13218	RESTRICTED TO
DIMENSIONS:	TOLERANCES UNLESS OTHERWISE SPECIFIED:	MATERIAL: 14 FINISH: 15			SIZE: A1 CAGE CODE: 00779 DRAWING NO: C=2007473
CUSTOMER DRAWING		SCALE: 3:1		REV: D	

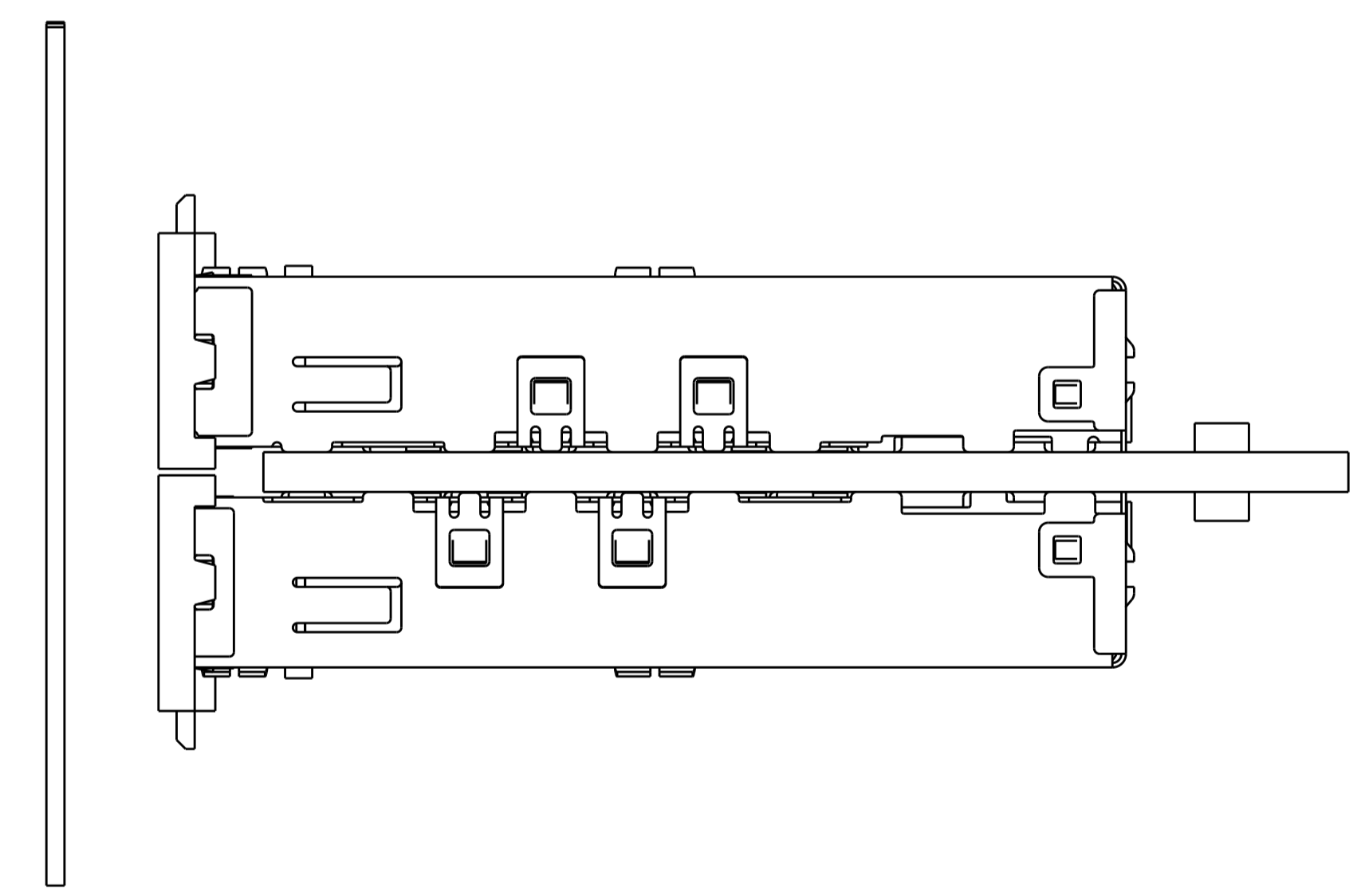
REVISIONS				
P.	LTR.	DESCRIPTION	DATE	OWN APVD
-	-	SEE SHEET 1	-	-



ONE SIDED CONFIGURATION  
 SCALE 3:1



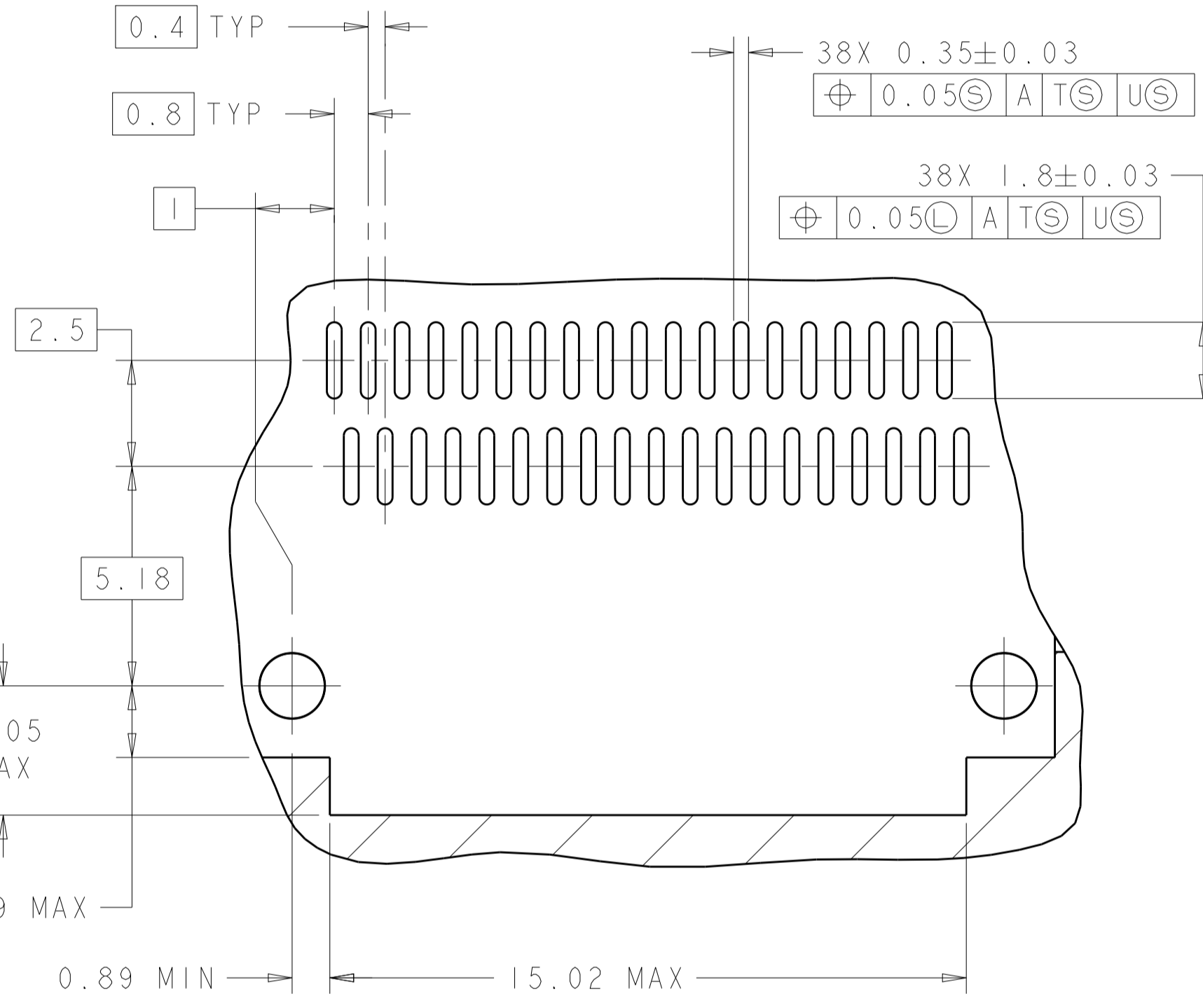
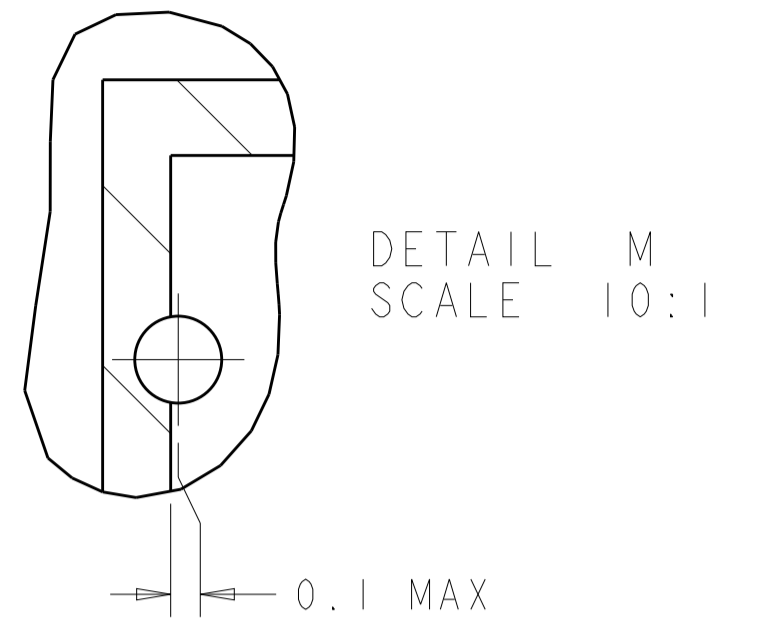
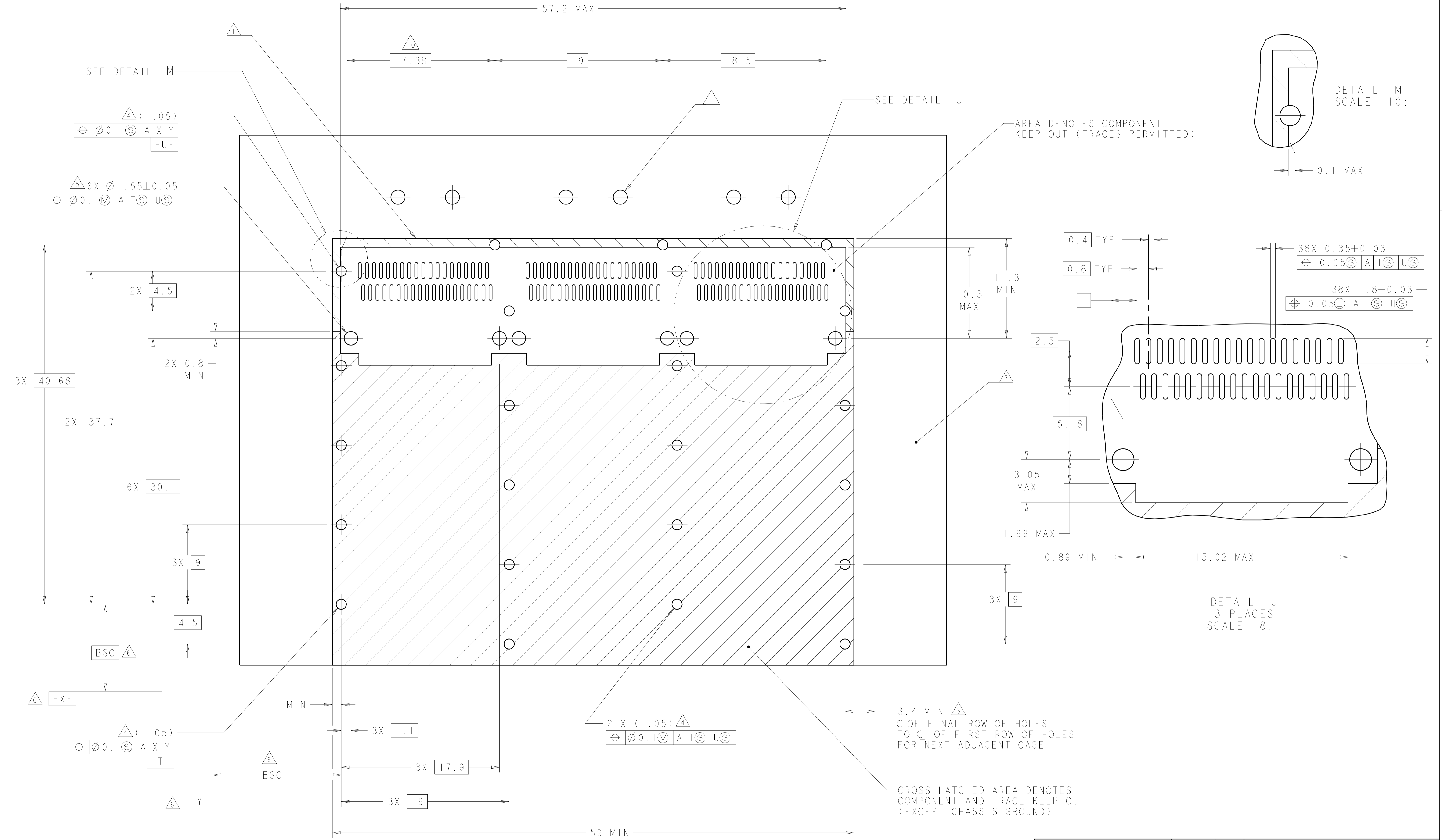
BELLY TO BELLY CONFIGURATION SIMILAR TO ONE SIDED EXCEPT WHERE NOTED  
 SCALE 3:1



THIS PRODUCT HAS NOT COMPLETED VALIDATION/QUALIFICATION TESTING

THIS DRAWING IS A CONTROLLED DOCUMENT.		OWN: C. VALENTIN 21NOV2007	TE Connectivity
DIMENSIONS: mm		CHK: E. BRIGHT 21NOV2007	
TOLERANCES UNLESS OTHERWISE SPECIFIED: 0 PLC ± 1 PLC ±0.1 2 PLC ±0.1 3 PLC ±0.013 4 PLC ±0.0001 ANGLES ±		APVD: E. BRIGHT 21NOV2007	NAME: IX3 CAGE ASSEMBLY, W/ LIGHT PIPE BRACKET, BEHIND BEZEL, QSFP
MATERIAL: TBD		PRODUCT SPEC: 108-2286	SIZE: CAGE CODE DRAWING NO: A100779C=2007473
FINISH: -		APPLICATION SPEC: 114-13218	RESTRICTED TO: -
CUSTOMER DRAWING		WEIGHT: -	SCALE: 3:1 SHEET 2 OF 4 REV D

REVISIONS				
P.	LTN.	DESCRIPTION	DATE	APVD.
-	-	SEE SHEET 1	-	-

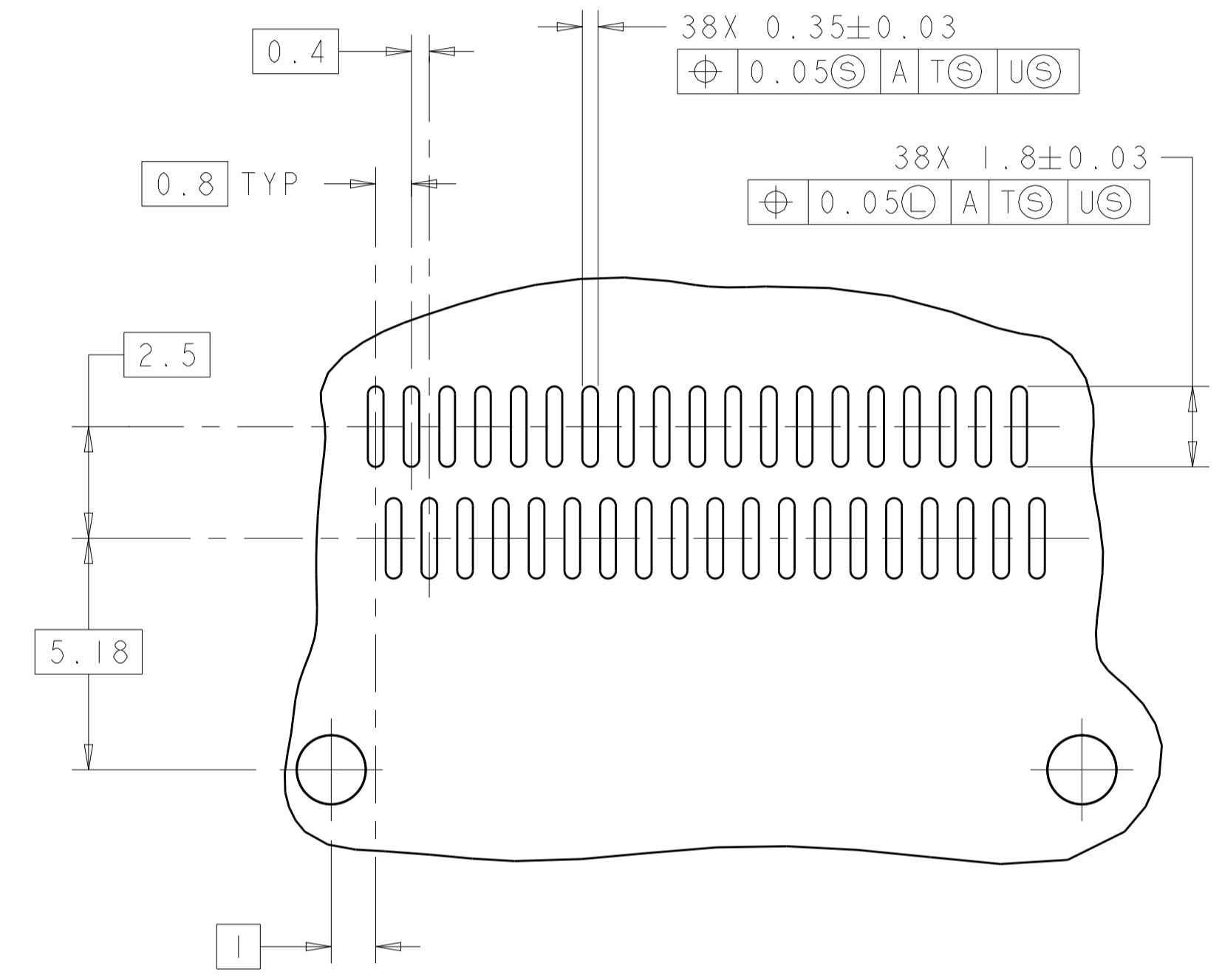
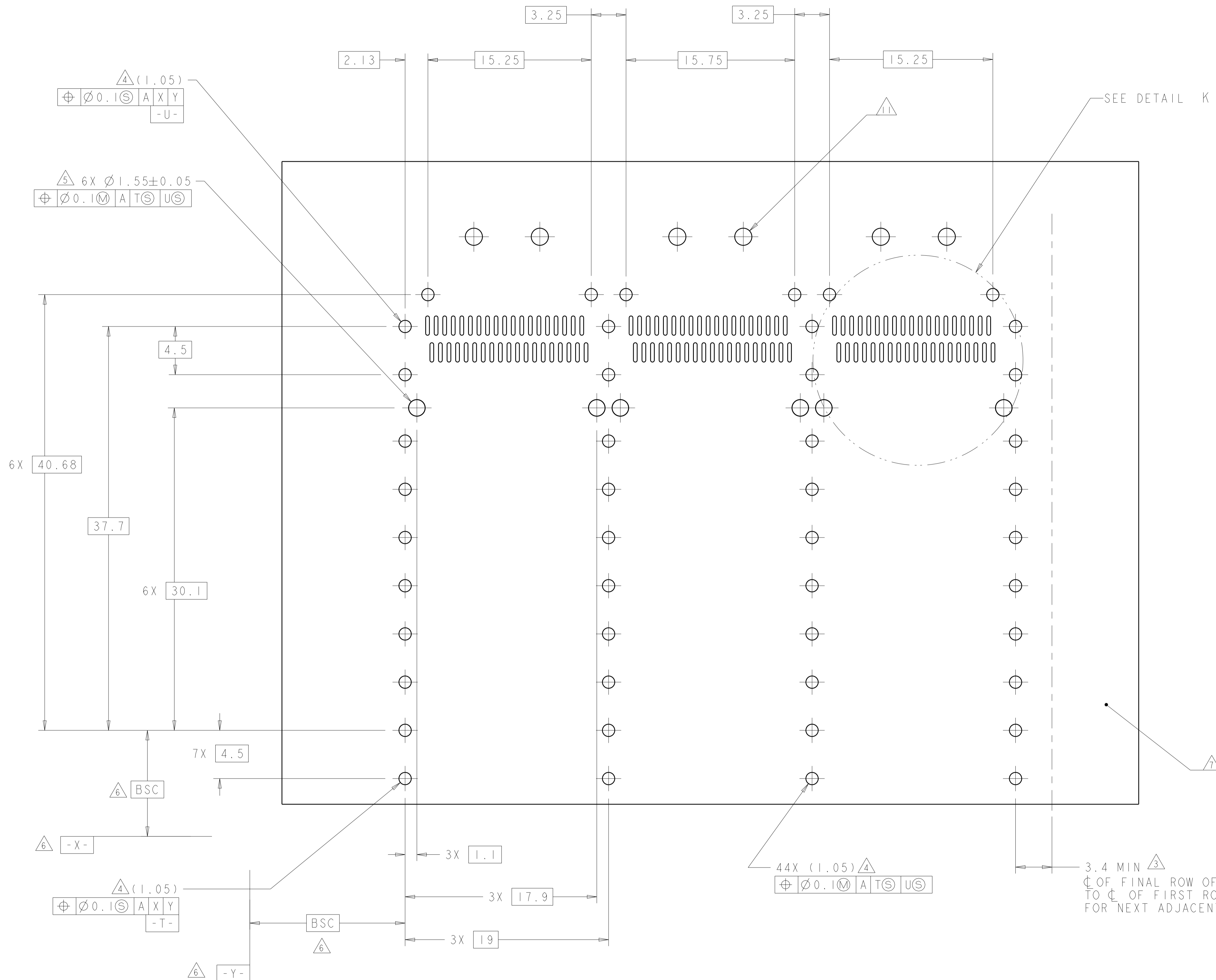


RECOMMENDED PC BOARD LAYOUT  
 SINGLE SIDE MOUNT CONFIGURATION  
 SCALE 5:1

THIS PRODUCT HAS NOT COMPLETED VALIDATION/QUALIFICATION TESTING

THIS DRAWING IS A CONTROLLED DOCUMENT.		DWN C. VALENTIN	Z1NOV2007		TE Connectivity
DIMENSIONS: mm		CHK E. BRIGHT	Z1NOV2007		NAME 1X3 CAGE ASSEMBLY, W/ LIGHT PIPE BRACKET, BEHIND BEZEL, QSFP
TOLERANCES UNLESS OTHERWISE SPECIFIED:		APVD E. BRIGHT	Z1NOV2007	PRODUCT SPEC 108-2286	RESTRICTED TO
0 PLC ±0.1		APPLICATION SPEC 114-13218		SIZE A100779C=2007473	SCALE 3:1 SHEET 3 OF 4 REV D
1 PLC ±0.1		WEIGHT		CUSTOMER DRAWING	
2 PLC ±0.013		FINISH			
3 PLC ±0.001					
4 PLC ±0.001					
ANGLES					

REVISIONS				
P.	LTN.	DESCRIPTION	DATE	APVD.
-	-	SEE SHEET 1	-	-



DETAIL K  
 3 PLACE  
 SCALE 8:1

RECOMMENDED PC BOARD LAYOUT  
 BELLY TO BELLY CONFIGURATION  
 SEE SHEET 3 FOR COMPONENT AND TRACE KEEP-OUTS  
 SCALE 5:1

THIS PRODUCT HAS NOT COMPLETED VALIDATION/QUALIFICATION TESTING

THIS DRAWING IS A CONTROLLED DOCUMENT.		DWN C. VALENTINE Z1NOV2007 CHK E. BRIGHT Z1NOV2007 APVD E. BRIGHT Z1NOV2007	TE Connectivity	
DIMENSIONS:	TOLERANCES UNLESS OTHERWISE SPECIFIED:	PRODUCT SPEC	NAME	
mm	0 PLC ± 1 PLC ±0.1 2 PLC ±0.1 3 PLC ±0.013 4 PLC ±0.0001 ANGLES ±0.0001	108-2286	1X3 CAGE ASSEMBLY, W/ LIGHT PIPE BRACKET, BEHIND BEZEL, QSFP	
MATERIAL	FINISH	APPLICATION SPEC	SIZE	RESTRICTED TO
TBD	-	114-13218	A100779C=2007473	-
CUSTOMER DRAWING		WEIGHT	SCALE	REV
-		-	3:1	4 of 4 D