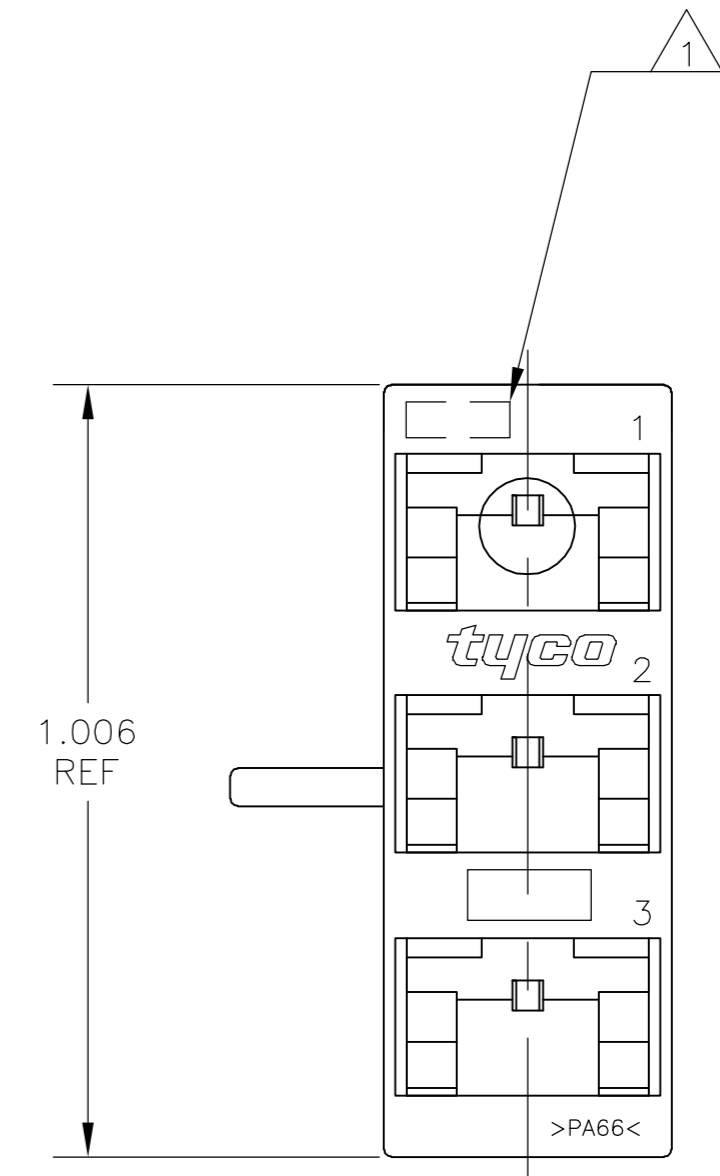
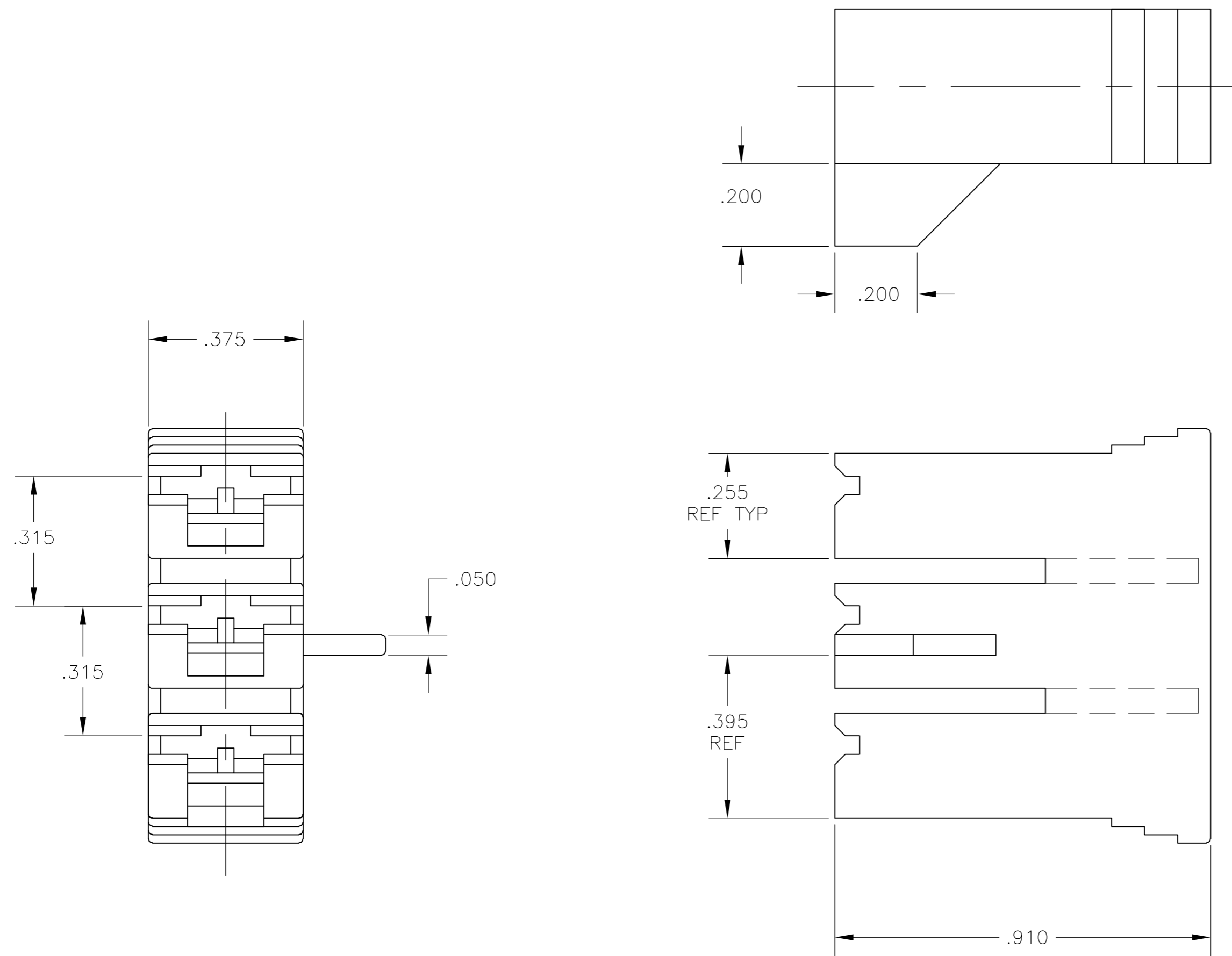


THIS DRAWING IS UNPUBLISHED. RELEASED FOR PUBLICATION
 © COPYRIGHT BY TYCO ELECTRONICS CORPORATION. ALL RIGHTS RESERVED.

LOC	DIST	REVISIONS			
P	LTR	DESCRIPTION	DATE	DWN	APVD
AF	50	A1	REL PER ECR 05-010346	16SEP05	JR PD

△ 1 COUNTRY OF ORIGIN.



521825-1
PART NO

THIS DRAWING IS A CONTROLLED DOCUMENT.		DWN	07JUN05	Tyco Electronics Corporation Harrisburg, PA 17105-3608
DIMENSIONS: INCHES		CHK	07JUN05	
TOLERANCES UNLESS OTHERWISE SPECIFIED:		APVD	07JUN05	
0 PLC ± - 1 PLC ± - 2 PLC ± - 3 PLC ± .010 4 PLC ± - ANGLES ± 5°		PRODUCT SPEC	NAME	
MATERIAL: 6/6 NYLON, V2		FINISH: NATURAL		HOUSING, RECEPTACLE, FASTON, .250 SERIES, 3 POSITION
MATERIAL: 6/6 NYLON, V2 FINISH: NATURAL		WEIGHT	-	SIZE: A2 CAGE CODE: 00779 DRAWING NO: C=521825
CUSTOMER DRAWING		SCALE	1:1	RESTRICTED TO: -
		SHEET	1 of 1	REV: A1