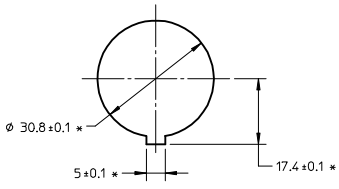
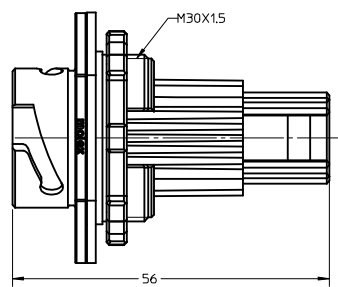


ISOMETRIC VIEW
SCALE 1:1

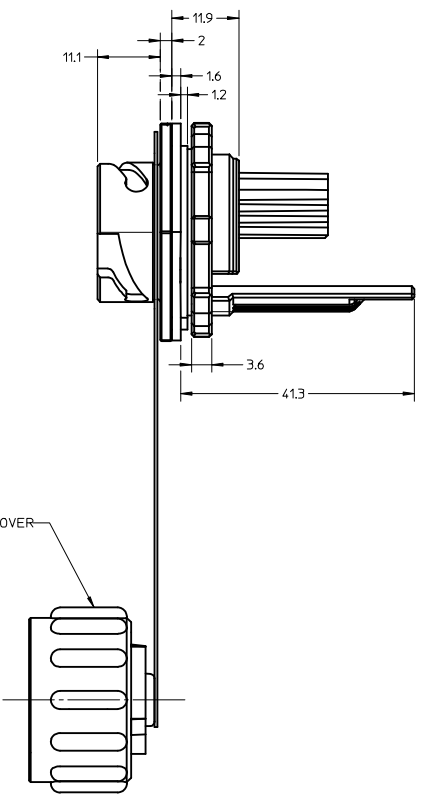
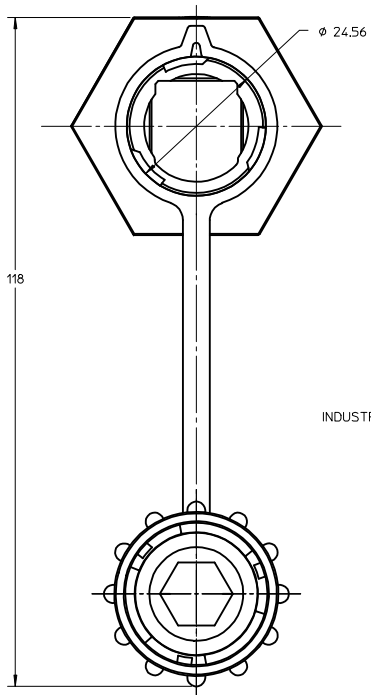


RECOMMENDED PANEL THICKNESS: 1.6mm-6.4mm

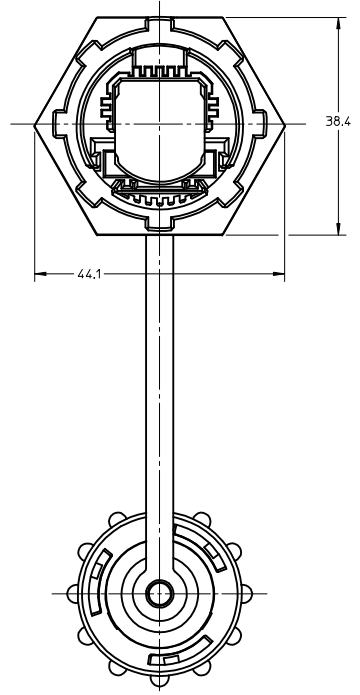
RECOMMENDED MOUNTING CUT-OUT
SCALE 1:1



TOP VIEW
DUST COVER IS NOT SHOWN



INDUSTRIAL DUST COVER



NOTE:
1. ALL DIMENSIONS ARE FOR REFERENCE ONLY.
2. ADAPTER ARE PACKED INDIVIDUALLY IN SELF SEALING BUBBLE BAG.
BUBBLE BAG NOT SHOWN.

ENTER DESCRIPTION EC NO: MF2009-0482 DRWN: SZEWCZYK 2009/03/23 CHKD: 2009/03/23 APPR: IGJWIN 2009/03/23	QUALITY SYMBOLS ▽=0 ▽=0	GENERAL TOLERANCES (UNLESS SPECIFIED)		DIMENSION STYLE MM ONLY	SCALE 1.5:1	DESIGN UNITS METRIC	THIRD ANGLE PROJECTION
		mm	INCH	DRAWN BY BG	DATE 12/01/05	TITLE RECEPTACLE ASSEMBLY INDUSTRIAL SFP	
REV B	DESCRIPTION	4 PLACES ± --- ± ---		CHECKED BY SE	DATE 12/15/05	MOLEX INCORPORATED	
		3 PLACES ± --- ± ---		APPROVED BY	DATE	MATERIAL NO. 1065013000	DOCUMENT NO. SD-106501-3000
		2 PLACES ± --- ± ---		DRAFT WHERE APPLICABLE MUST REMAIN WITHIN DIMENSIONS		SHEET NO. 1 OF 1	
		1 PLACE ± --- ± ---		SIZE C THIS DRAWING CONTAINS INFORMATION THAT IS PROPRIETARY TO MOLEX INCORPORATED AND SHOULD NOT BE USED WITHOUT WRITTEN PERMISSION			
		ANGULAR ±1/2°					