

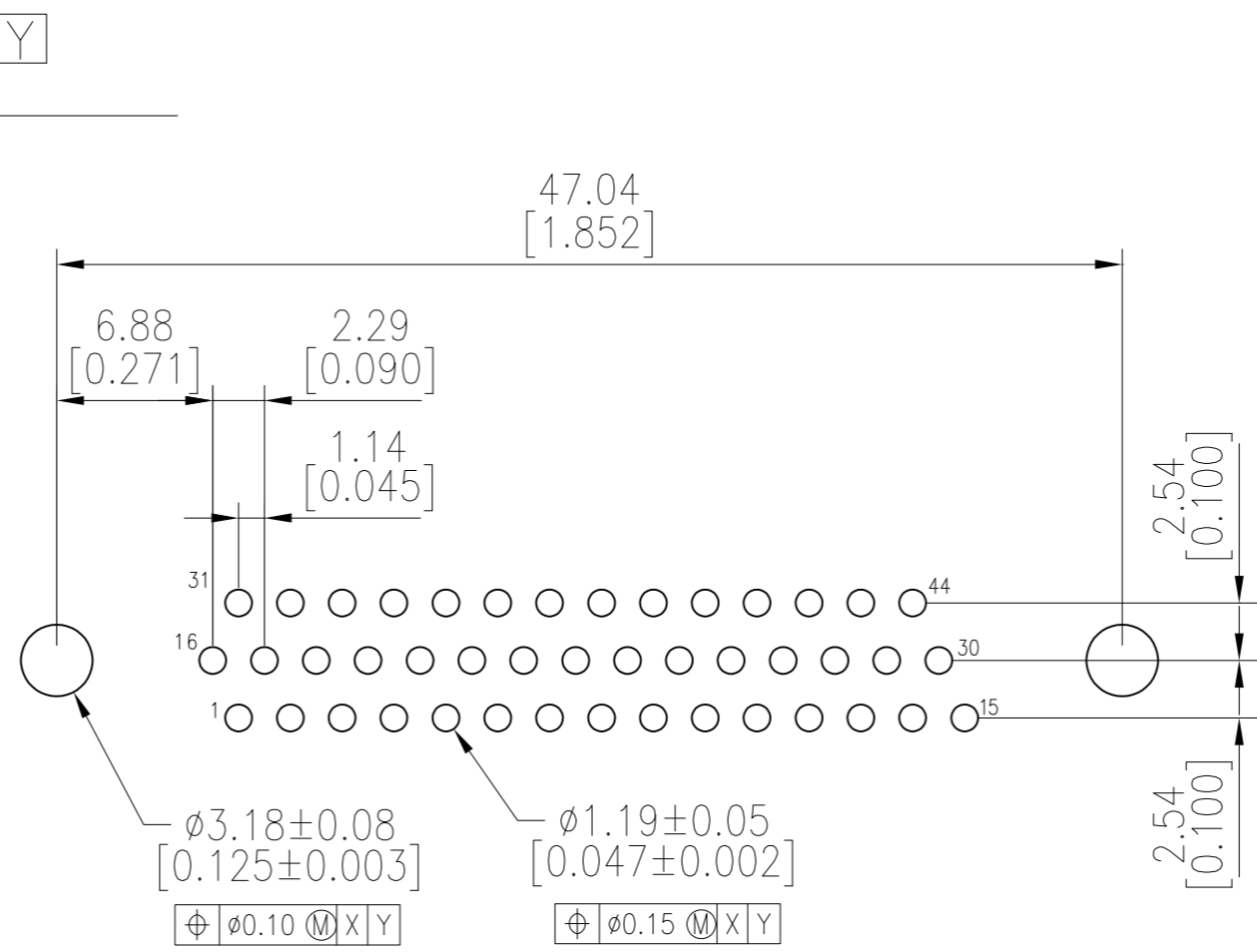
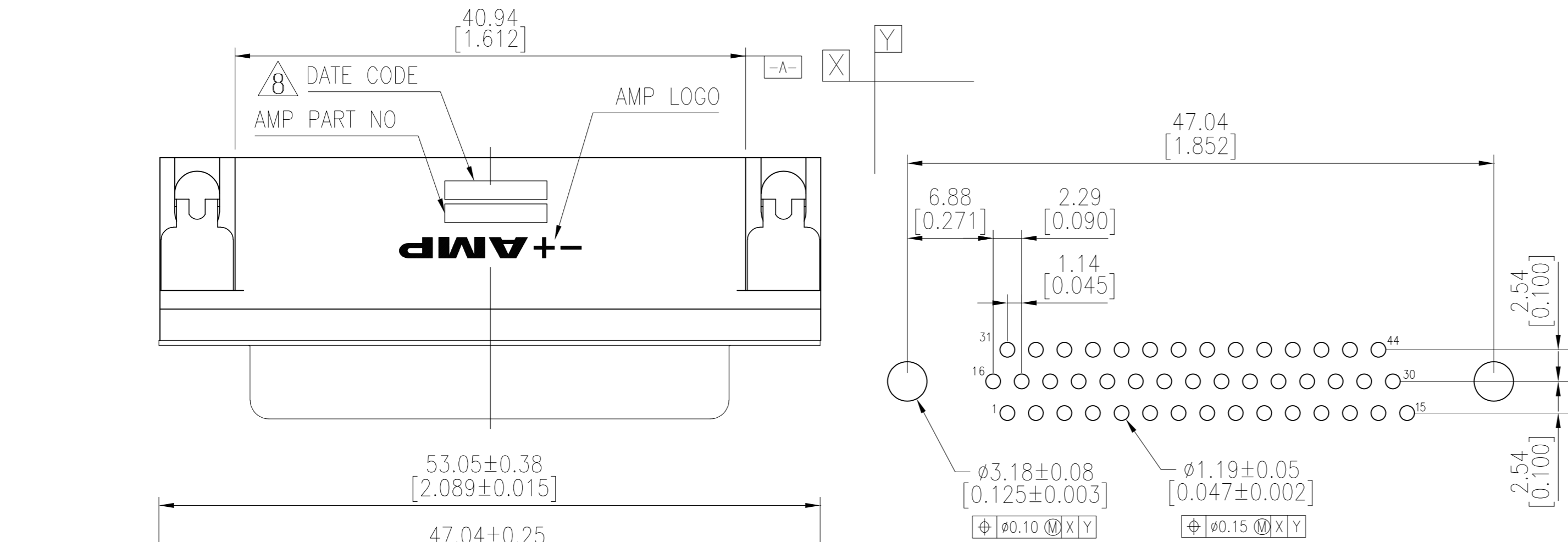
THIS DRAWING IS UNPUBLISHED. RELEASED FOR PUBLICATION
 © COPYRIGHT - By - ALL RIGHTS RESERVED.

LOC		DIST		REVISIONS			
GP	00	P	LTR	DESCRIPTION	DATE	DWN	APVD
		A1		REVISED PER ECO-11-004835	11MAR11	RK	HMR

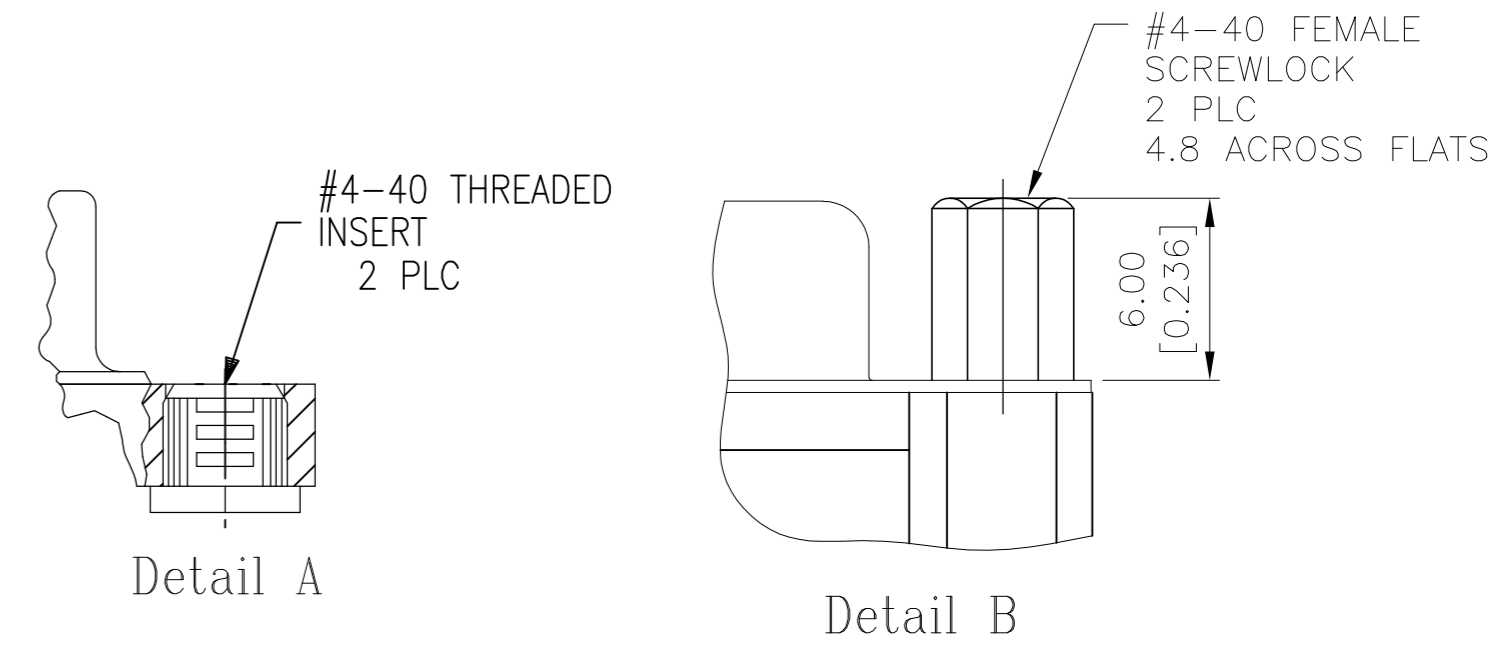
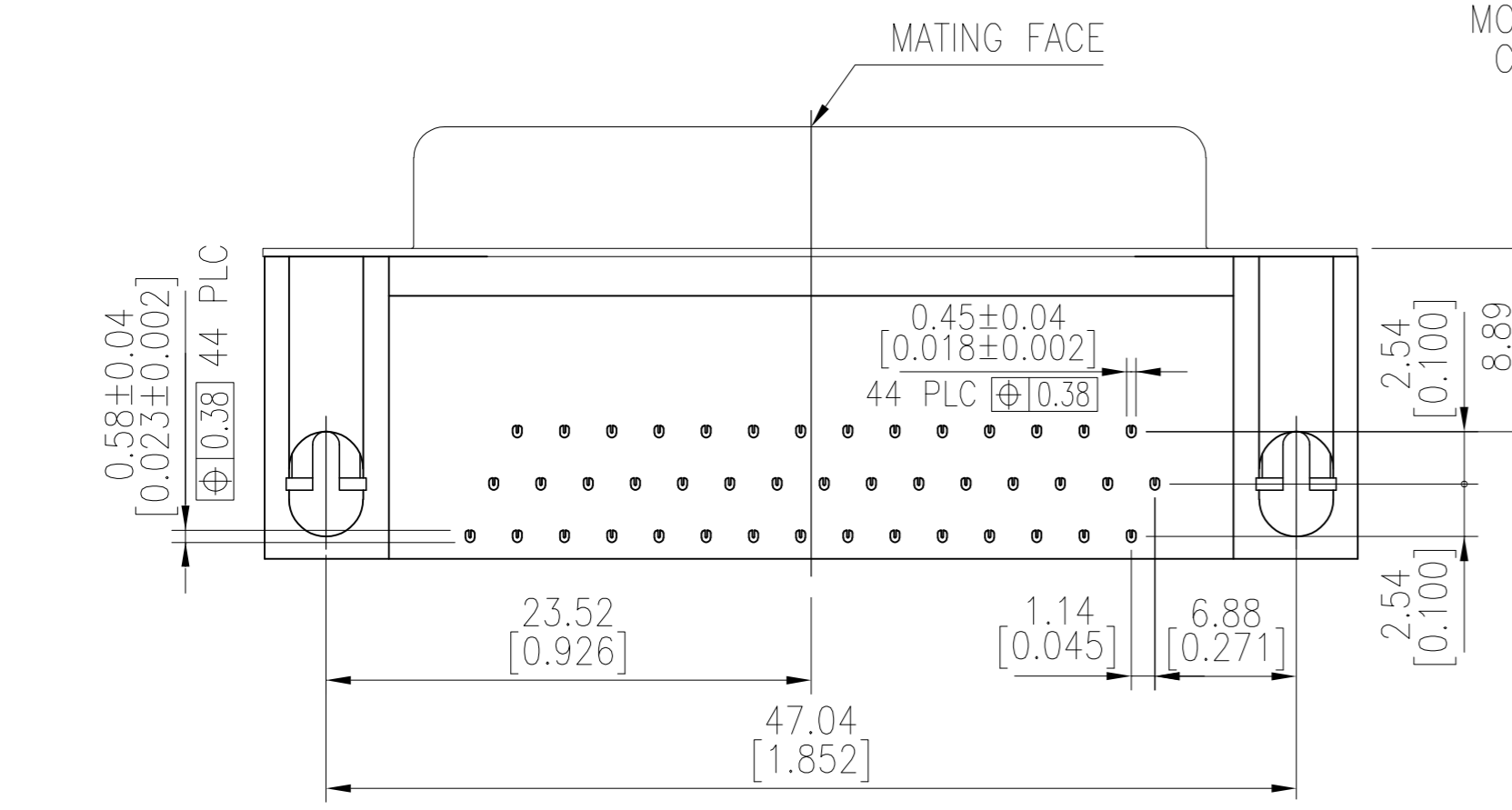
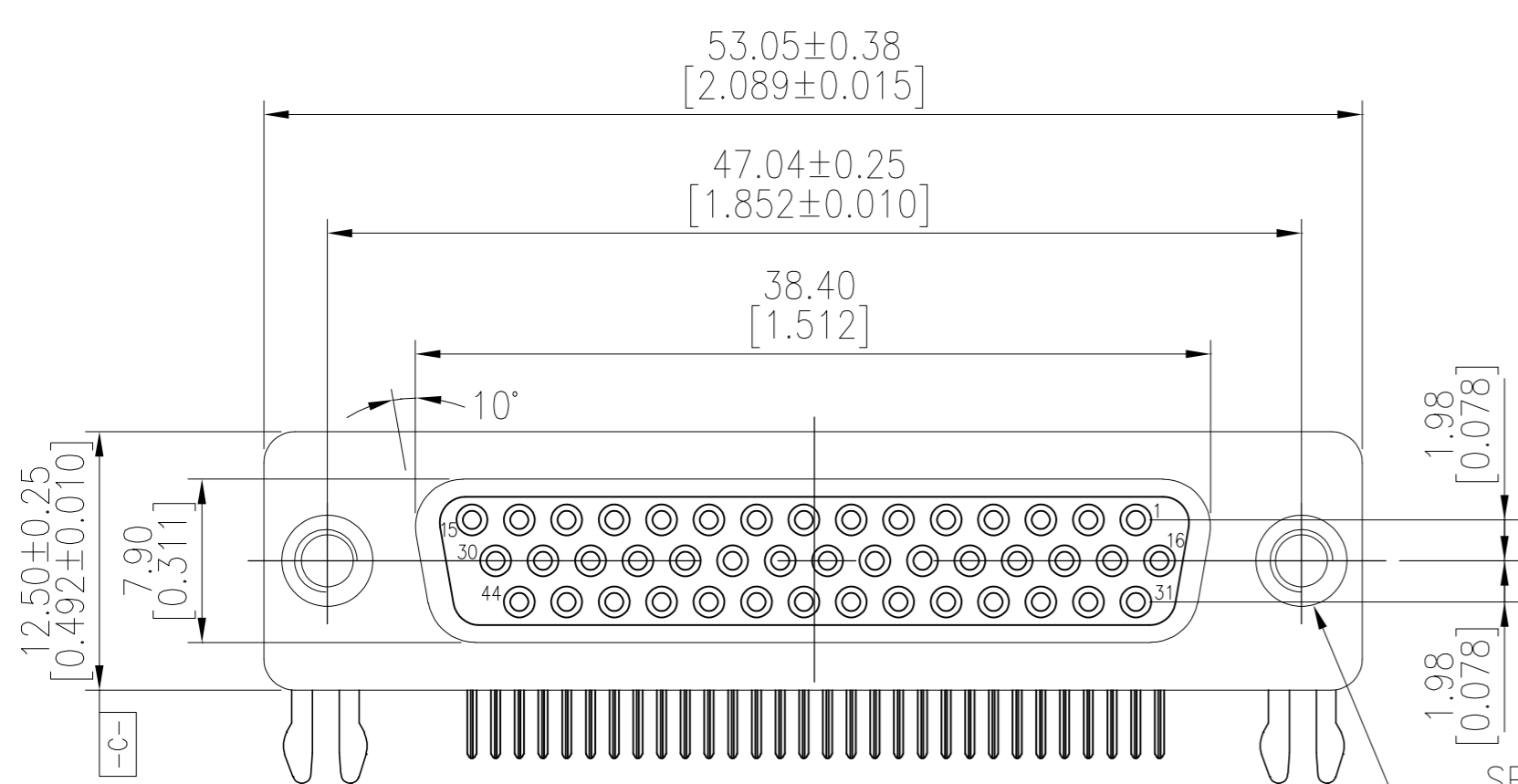
MATERIAL:

- Housing: PBT , 30 % G.F polyester, Black. (UL 94V-0 Rated)
- Contact: Phos. Bronze.
- Contact Plated: Gold Plated over 50u" Nickel underplated.
- Solder Tail: Sn Plated 120u" over 50u" Nickel underplated.
- Shell: Steel, Nickel Plated.
- Boardlocks: Brass, Tin Plated 100u".
- Screwlocks: Brass, Nickel Plated 30u".

△ Four digit date code in this format.
 Year 01 45 Manufacturing Week



RECOMMENDED PCB LAYOUT



	Tray	Detail B	15 μ"	2-5748482-5
OBSOLETE	Tray	Detail A	Gold flash	2-5748482-4
OBSOLETE	Tray	Detail A	15 μ"	2-5748482-3
	Tray	Detail A	30 μ"	5748482-5
	Packaging	Mounting Flange	Contact Finish	Part No

THIS DRAWING IS A CONTROLLED DOCUMENT.		DWN	J.GERACE	25FEB05	TE Connectivity AMPLIMITE HD-22, 44 POSITION RECEPTACLE, RIGHT ANGLE				
DIMENSIONS: mm [INCHES]		CHK	S.BOLASH	25FEB05					
TOLERANCES UNLESS OTHERWISE SPECIFIED:		APVD	M.WALMSLEY	25FEB05					
0 PLC ± - 1 PLC ± 0.30 2 PLC ± 0.20 3 PLC ± 0.10 4 PLC ± - ANGLES ± 2°		PRODUCT SPEC							
MATERIAL	FINISH	APPLICATION SPEC			SIZE	CAGE CODE	DRAWING NO	RESTRICTED TO	
		WEIGHT			A2	00779	C=5748482		
CUSTOMER DRAWING				SCALE	1:1	SHEET	1 OF 1	REV	A1