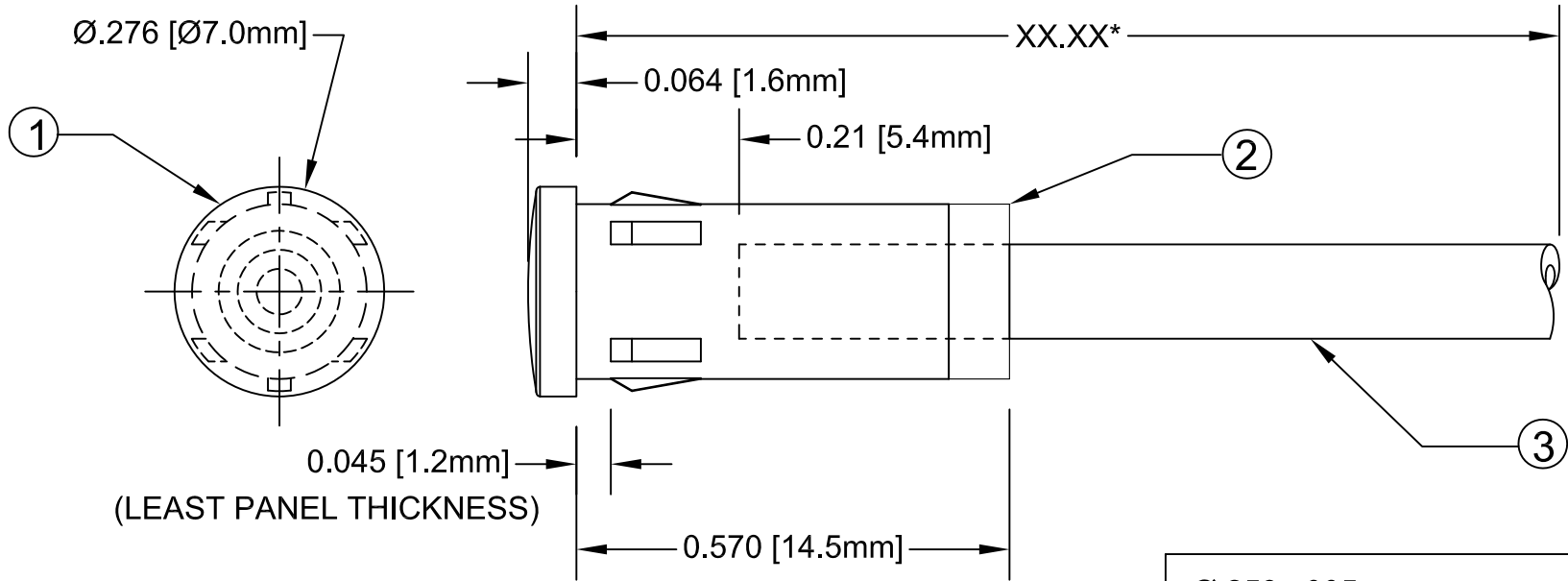


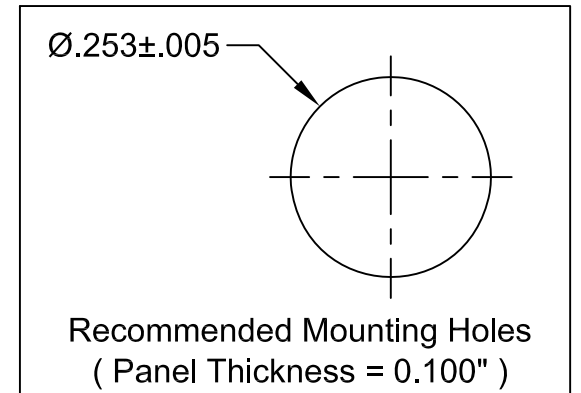
ITEM	Q'TY	PART NUMBER	PART DESCRIPTION
1	1	FLP-LC-5-02	LENS CAP, FLEXIBLE LIGHT-PIPE, BODY
2	1	FLP-LC-5-03	2mm LENS CAP, FLEXIBLE LIGHT-PIPE, INSERT
3	1	FLPS2031-XX.X	2mm LIGHT PIPE CABLE, CUT LENGTH IN INCHES


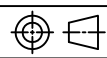
REV.	DESCRIPTION	DATE	APPROVED
A	Engineering Release	04/20/12	T. Y.



*Length "XX.XX"	Tolerance
2.50" ~ 16.00"	±0.050"
16.25" ~ 40.00"	±0.15"
40.25" ~ 80.00"	±0.30"
80.25" ~ 500.0"	±0.5%

**EXAMPLE:**  
**PM7-C2031-6.50**  
 Series | Fiber Length in 0.25" Increments



STANDARD TOLERANCE ( UNLESS OTHERWISE SPECIFIED )		 4 THOMAS, IRVINE, CA. 92618 TEL: (949) 951-8808 FAX: (949) 951-3974	
DECIMALS	ANGULAR		
.X ±.1	X° ± 1°		
.XX ±.02		 <b>TITLE:</b> 7mm Circular Lens Flexible Light Pipe FLPS2031 Indicators	
.XXX ±.010			
DESIGNED: Ty Yin			DATE: 04/20/12
CHECKED: B. Oliver		DATE: 04/20/12	<b>PART NO:</b> PM7-C2031-XX.XX <b>CAGE CODE :</b> 32559 <b>SHEET #</b> 1 <b>OF</b> 1 <small>CAD GENERATED DOCUMENT, DO NOT MEASURE DRAWING.</small>