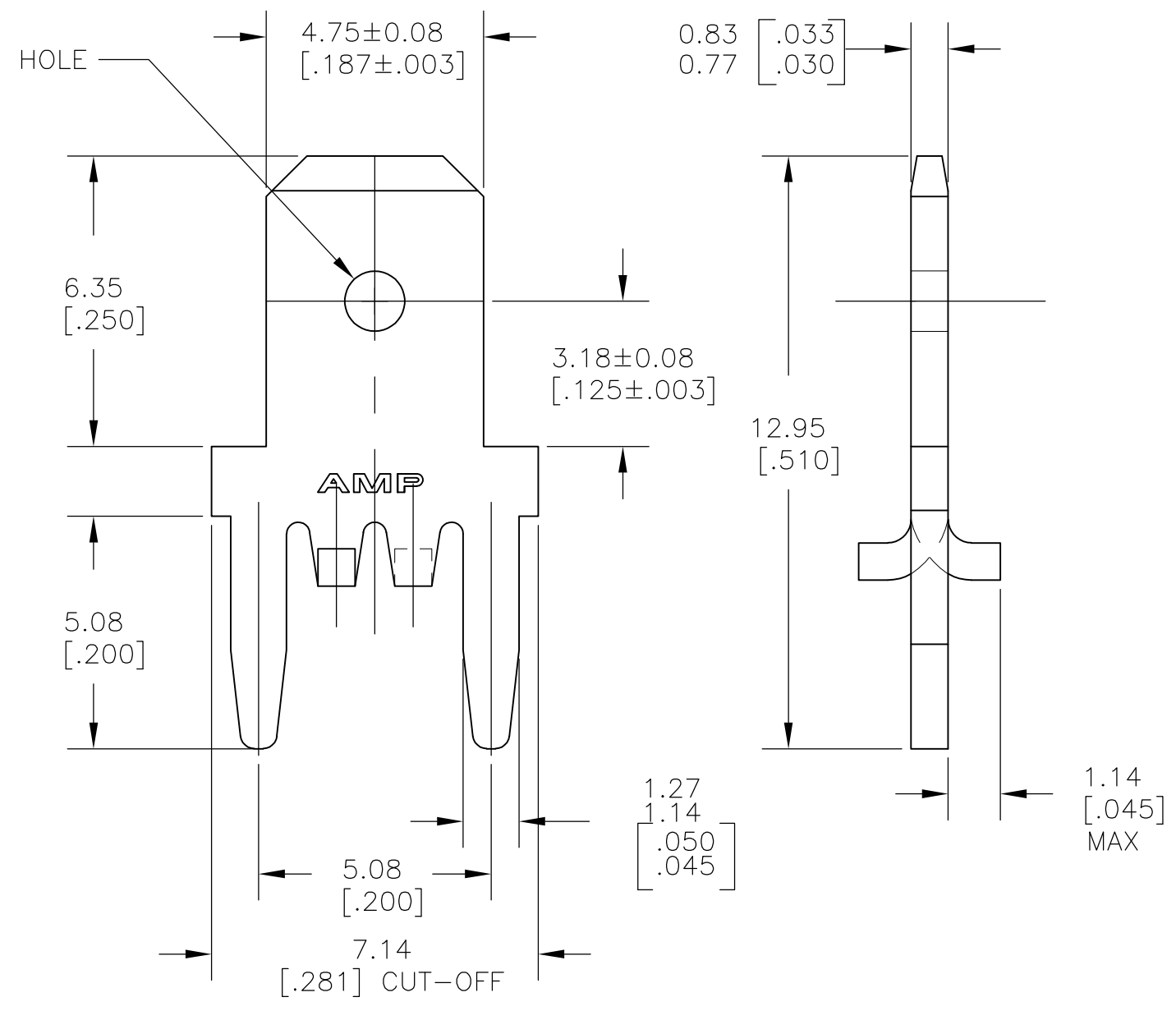
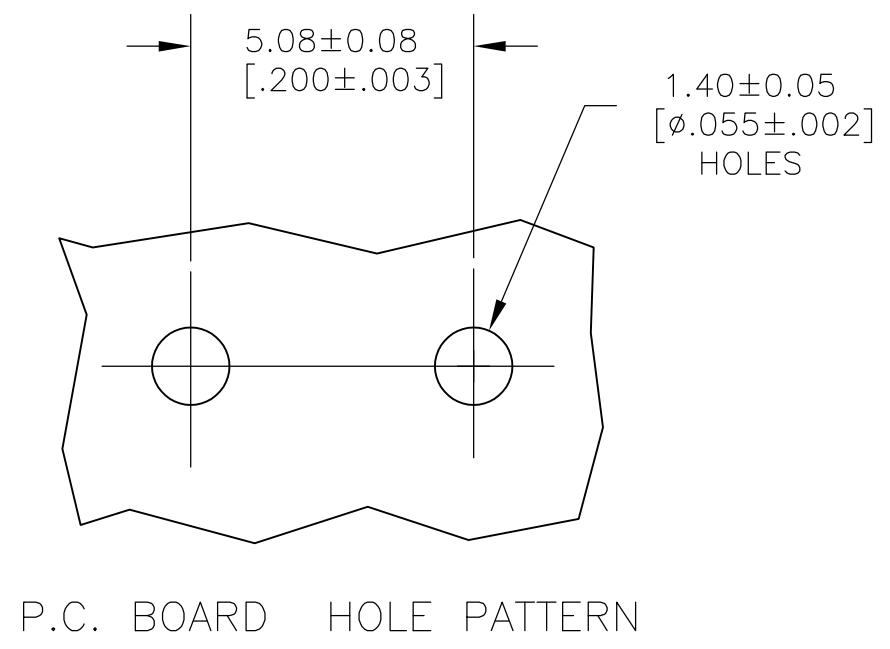


THIS DRAWING IS UNPUBLISHED. RELEASED FOR PUBLICATION  
 © COPYRIGHT BY TYCO ELECTRONICS CORPORATION. ALL RIGHTS RESERVED.

LOC	DIST	REVISIONS					
AF	50	P	LTR	DESCRIPTION	DATE	DWN	APVD
			A2	REVISED PER ECR-11-003939	22FEB11	JR	PD



- 1 CONTINUOUS STRIP ON REELS, PITCH IS 7.14±0.076 [.281±.003].
- 2 TIN PLATE 0.00381 [.000150] MIN OVER 0.00254 [.000100] MIN THK COPPER.



1742361-1  
 PART NO.

THIS DRAWING IS A CONTROLLED DOCUMENT.		DWN JR RUTH 27SEP05	Tyco Electronics Corporation Harrisburg, PA 17105-3608	
DIMENSIONS: mm [INCHES]		CHK MS FEHER 27SEP05		
TOLERANCES UNLESS OTHERWISE SPECIFIED:		APVD K RANDOLPH 27SEP05	NAME TAB, FASTON, P.C.BOARD	
0 PLC ± - 1 PLC ± - 2 PLC ± 0.25 [.010] 3 PLC ± - 4 PLC ± - ANGLES ± -		PRODUCT SPEC -	4.75 [.187]	
MATERIAL 082 BRASS		FINISH	APPLICATION SPEC -	RESTRICTED TO -
		WEIGHT -	SIZE A3	CAGE CODE 00779
			DRAWING NO C-1742361	
			SCALE 8:1	SHEET 1 OF 1
			REV A2	