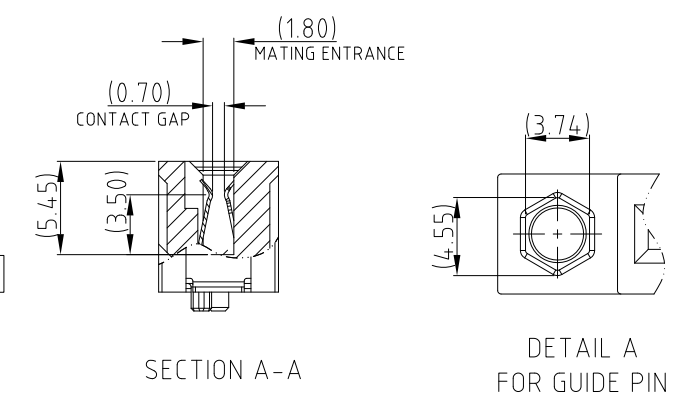
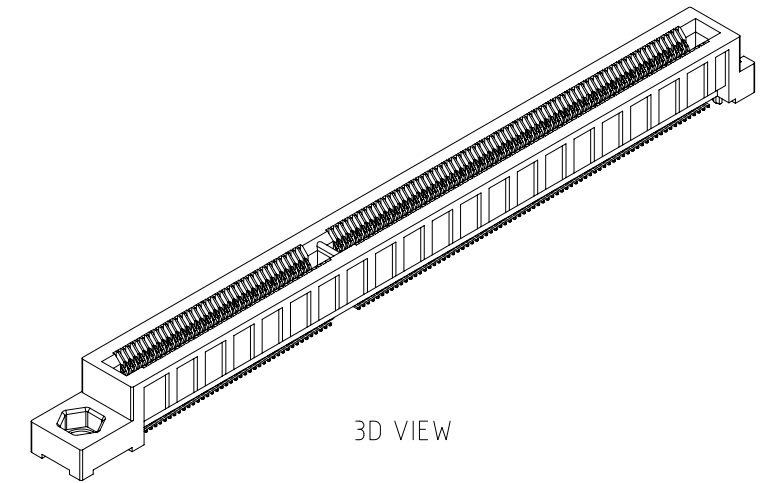
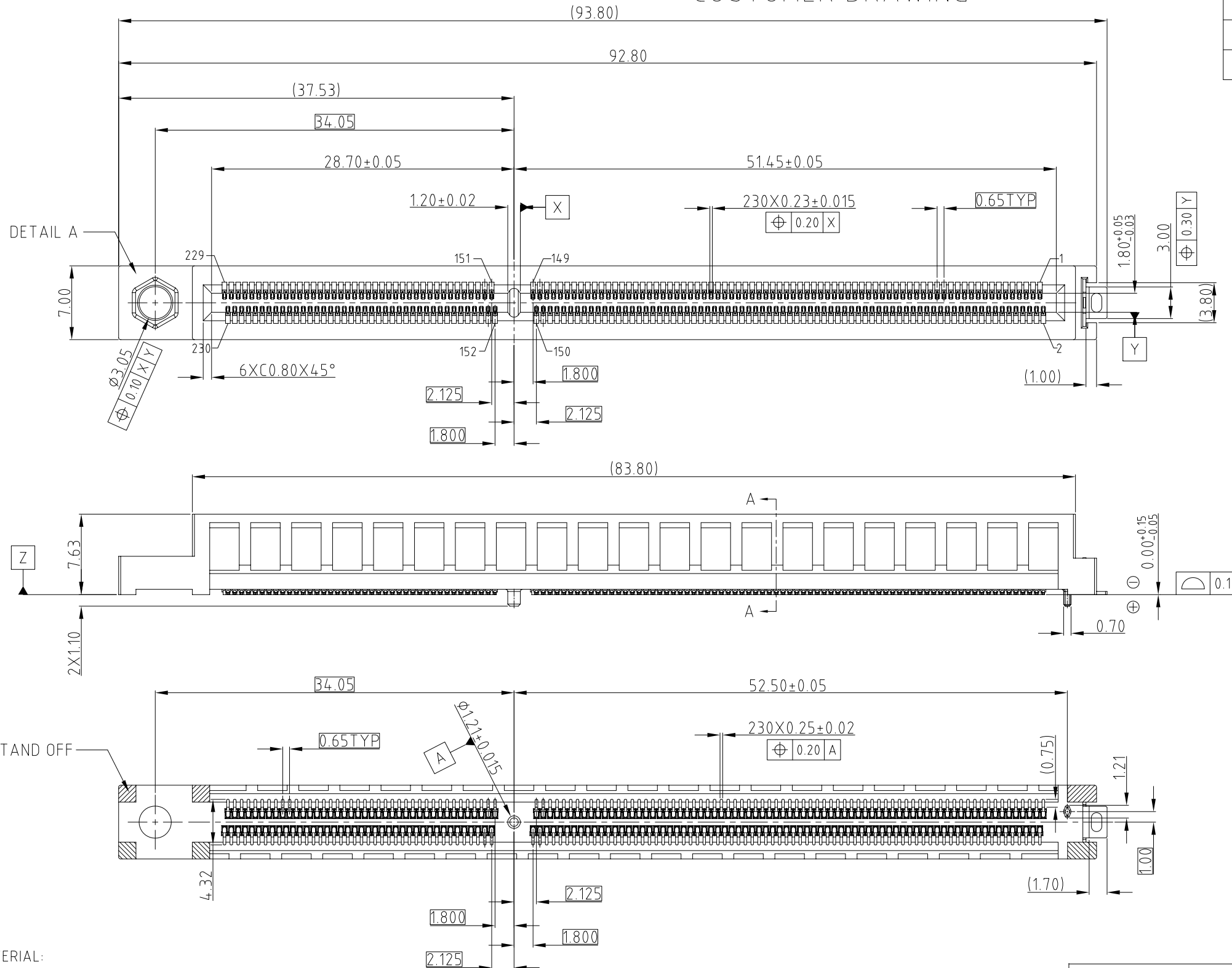


This document is the property of Amphenol Corporation and is delivered on the express condition that it is not to be disclosed, reproduced or used, in whole or in part, for manufacture or sale by anyone other than Amphenol Corporation without its prior consent, & that no right is granted to disclose or to use any information in this document.

CUSTOMER DRAWING

REVISIONS				
SYM	ECN	DESCRIPTION	DATE	APPROVED
4	CD----	REDEFINE THE GOLD FINGER	Nov.10,2016	
5	CD----	REDEFINE THE GOLD FINGER	Nov.11,2016	
6	CD----	MODIFY GOLD FINGER	Apr.06,2017	



- PN SYSTEM  
SET02302310101 X
- 1 0.76UM Au
  - 2 0.38UM Au
  - 3 GOLD FLASH
  - 4 0.76UM PdNi+GF

- NOTE:
- MATERIAL:  
HOUSING: HIGH TEMPERATURE THERMOPLASTIC BLACK UL94-V0  
CONTACT: COPPER ALLOY  
BOARD LOCK: SPCC
  - PLATING:  
CONTACT: MATING AREA: SEE PLATING SPEC OVER 1.27-2.54 UM NICKEL UNDERPLATED  
SOLDER AREA: 1.27 MIN TIN OVER 1.27-2.54 UM NICKEL UNDERPLATED  
BOARD LOCK: 1.27 MIN TIN OVER 1.27-2.54 UM NICKEL UNDERPLATED
  - ELECTRICAL PERFORMANCE:  
RATED CURRENT FOR SIGNAL PIN: 0.5A/PIN, TOTAL 230 PINS
  - PRODUCT SHALL MEET ALL DIMENSIONS BEFORE EXPOSURE TO 260°C MAX. FOR 10S AND SHALL MEET ALL SELECTED FUNCTIONAL DIMENSION AFTER EXPOSURE TO 260°C MAX. FOR 10S.
  - MATERIAL SHOULD BE FULFILLED AMPHENOL SPEC # SSN002
  - THE CRITICAL DIMENSIONS OF MATING CARD AND FOOTPRINT LAYOUT
  - ORDERING PN: SEE PN SYSTEM



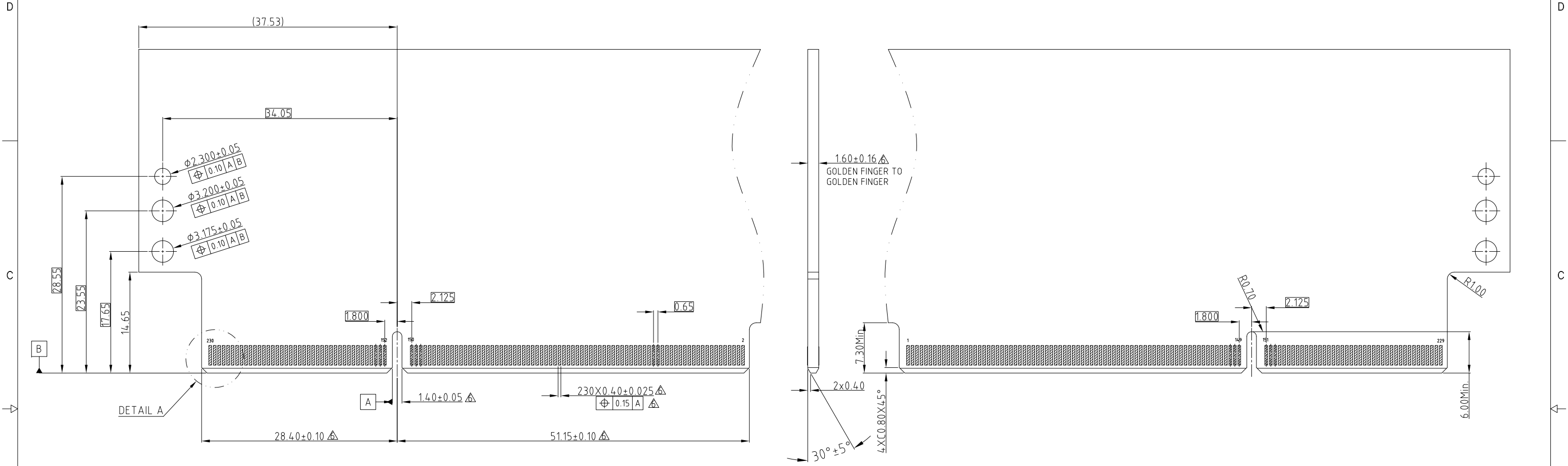
PROPOSAL DRAWING

UNLESS OTHERWISE SPECIFIED TOLERANCES		APPROVAL		DATE		Amphenol	
U.S. METRIC		DRAWN Cat		Apr.06,2017			
.X +/- 0.30 .XX +/- 0.13 .XXX +/- 0.05		CHECKED		APPROVED			
FRACTIONS +/- ANGLES +/- 2°		DRAWING FILE :		INTERNAL\DRAWING\CE\C SET02302310101 X		TITLE	
FOR MATERIALS AND FINISHES SEE NOTES		REMOVE SHARP EDGES		ANGLE OF PROJECTION		COOL EDGE CONNECTOR 230 PINS	
DIMENSIONS		—U.S.— INCHES		SCALE		SIZE DRAWING NO. REV.	
(METRIC) (mm)				NONE		A3 C SET02302310101 X 6	
				SHEET 1 OF 2			

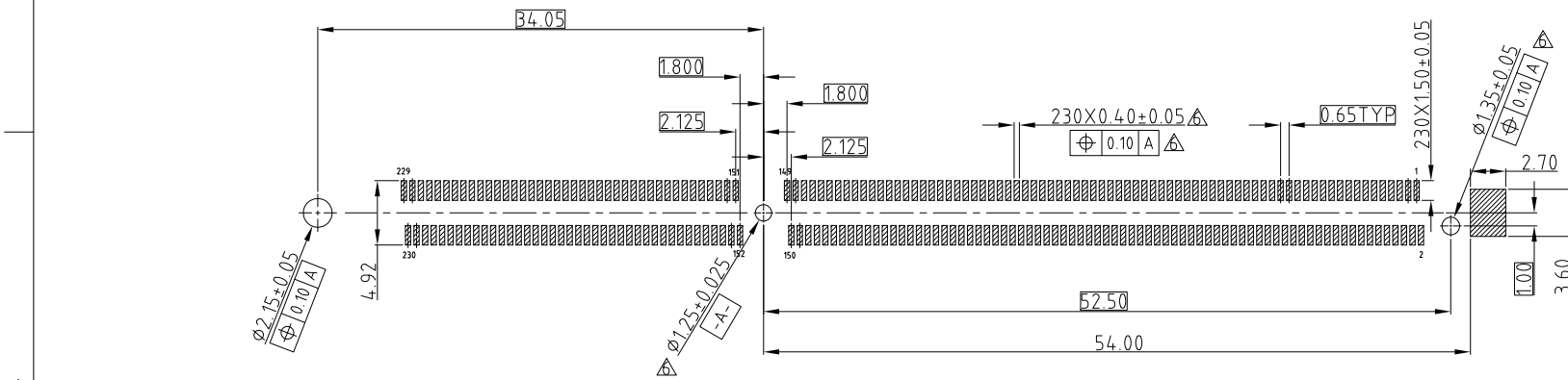
This document is the property of Amphenol Corporation and is delivered on the express condition that it is not to be disclosed, reproduced or used, in whole or in part, for manufacture or sale by anyone other than Amphenol Corporation without its prior consent, & that no right is granted to disclose or to use any information in this document.

CUSTOMER DRAWING

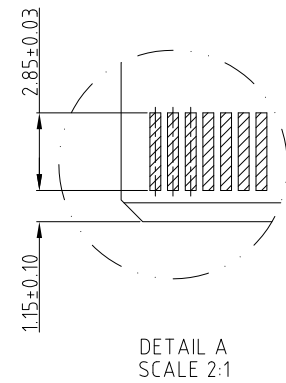
REVISIONS				
SYM	ECN	DESCRIPTION	DATE	APPROVED
		SEE SHEET 1		



RECOMMENDED MATING CARD  
UNLESS OTHERWISE SPECIFIED, GENERAL PCB TOLERANCE ±0.05



RECOMMENDED CONNECTOR FOOTPRINT LAYOUT  
UNLESS OTHERWISE SPECIFIED, GENERAL PCB TOLERANCE ±0.05



PROPOSAL DRAWING

UNLESS OTHERWISE SPECIFIED TOLERANCES		APPROVAL		DATE	Amphenol	
U.S. METRIC		DRAWN	Cat	Apr.06,2017		
.X +/- 0.13		CHECKED				
.XX +/- 0.05		APPROVED			TITLE	
.XXX +/- 0.03		DRAWING FILE :		COOL EDGE CONNECTOR		
FRACTIONS +/- 5°		INTERNAL\DRAWING\CE\C SET02302310101X		230 PINS		
ANGLES +/-		ANGLE OF PROJECTION		SIZE		
FOR MATERIALS AND FINISHES SEE NOTES		REMOVE SHARP EDGES		DRAWING NO.		
DIMENSIONS		DIMENSIONS		A3 C SET02302310101X		
-U.S.- INCHES		-U.S.- INCHES		SCALE		
(METRIC) (mm)		(METRIC) (mm)		NONE		
				SHEET 2 OF 2		
				REV. 6		