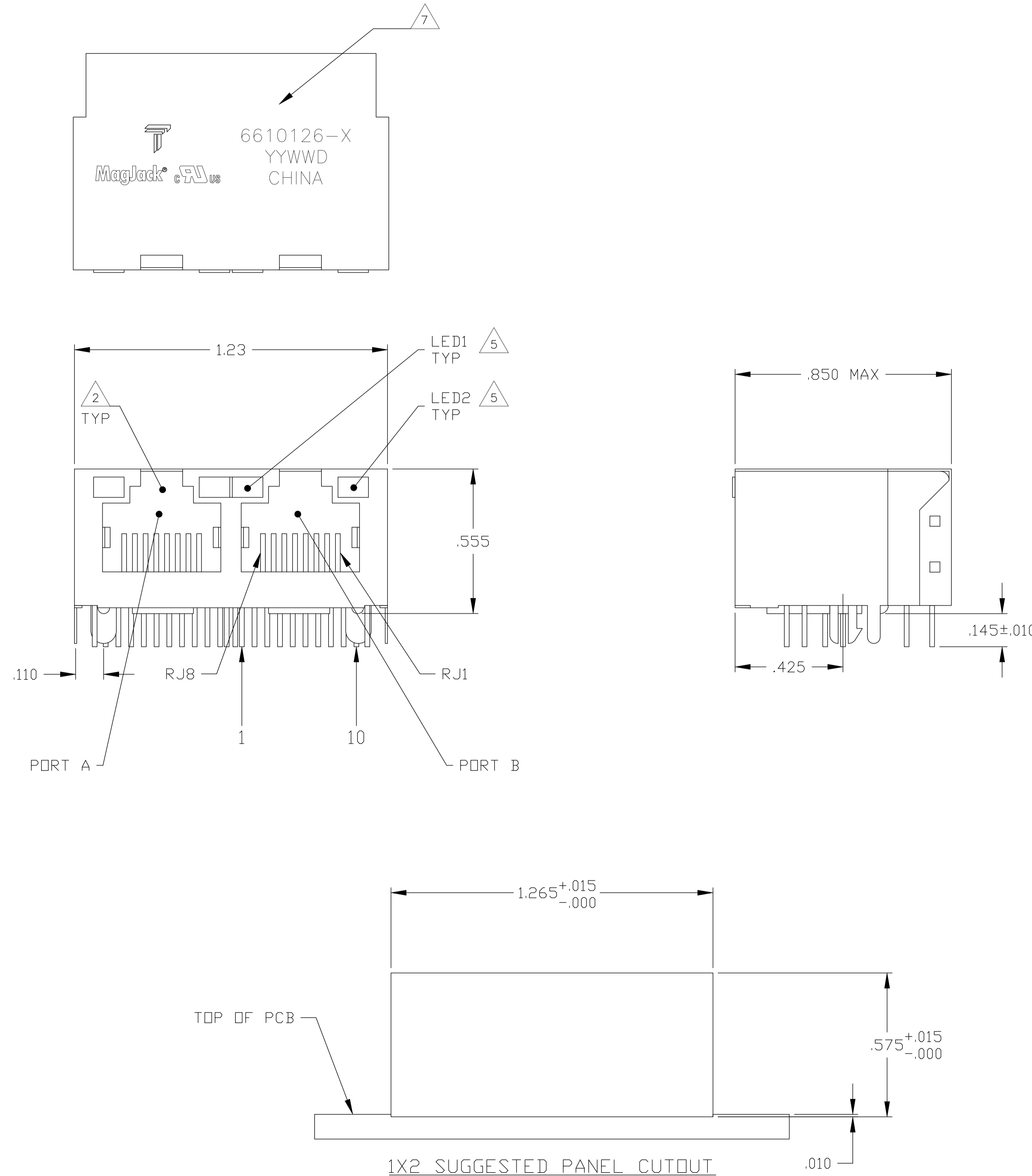


THIS DRAWING AND THE SUBJECT MATTER SHOWN THEREON ARE CONFIDENTIAL AND THE PROPERTY OF BEL/STEWART/TRP CONNECTOR AND SHALL NOT BE REPRODUCED, COPIED, OR USED IN ANY MANNER WITHOUT THE WRITTEN CONSENT OF TRP CONNECTOR.

PRODUCT MAY BE PROTECTED BY ONE OR MORE OF THE FOLLOWING US PATENTS:
 5736910 5939955 6425781 6428361 6554638 6840817 7123117
 7429195 7717749 7808751 6217391 6149050 7924130

REVISIONS				
P	LR	DESCRIPTION	DATE	APVD
E		EC-1411035 COMPANY LOGO CHANGE	05JAN2015	DZ TL

MECHANICAL:

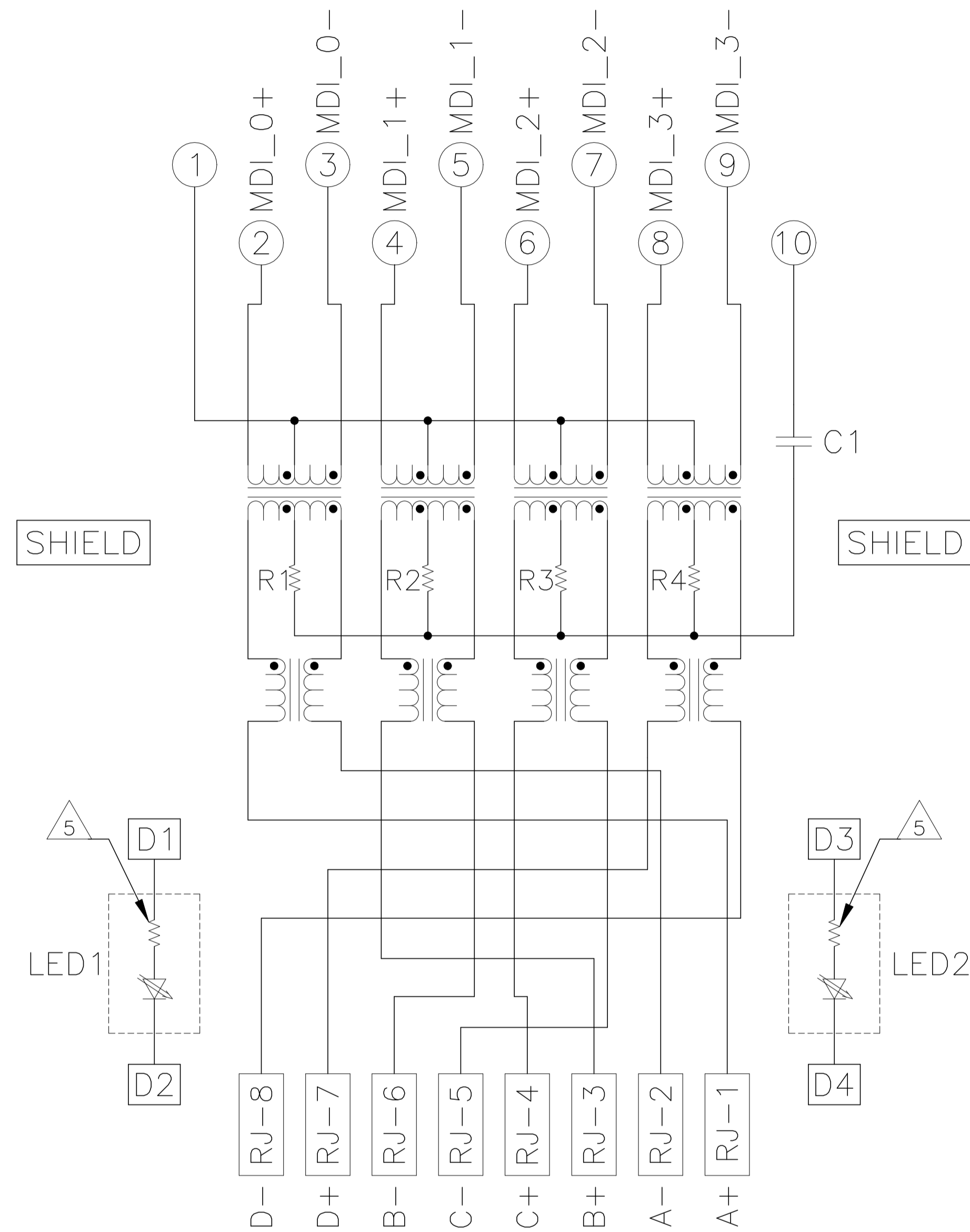


- 1 MATERIALS:
 - HOUSING - THERMOPLASTIC PET POLYESTER FLAMMABILITY RATING UL 94V-0.
 - SHIELD - .010" THICK, C26800 BRASS PREPLATED WITH 30μINCH MIN SEMI-BRIGHT NICKEL. SOLDER TABS POST DIPPED WITH 100μINCH MIN SAC SOLDER.
 - MOD JACK CONTACTS - 0.0157 X 0.018" PHOSPHOR BRONZE, 50μINCH MIN OVERALL NICKEL UNDERPLATE WITH SELECT 50μINCH MIN HARD GOLD FINISH PLATE. SOLDER TAILS WITH 100μINCH MIN MATTE TIN AND/OR SAC SOLDER DIP.
 - LIGHT EMITTING DIODE(LED) - DIFFUSED EPOXY LENS, .020" X .020" CARBON STEEL WIREFRAME LEADS PRE-PLATED WITH 80μINCH SILVER OVER 40μINCH NICKEL UNDERPLATE OVER 40μINCH COPPER UNDERPLATE, POST-PLATED WITH 100μIN MIN MATTE TIN AND/OR SAC SOLDER DIP OR PURE TIN SOLDER DIP.
- 2 RJ45 JACK CAVITY CONFORMS TO FCC RULES AND REGULATIONS PART 68, SUB PART F.
- 3 MAGNETICS
 - IMPEDANCE: 100 OHMS
 - TURNS RATIO (CHIP: CABLE): 1:1 ALL FOUR PAIRS
 - OPEN CIRCUIT INDUCTANCE (OCL): 350μH MIN @100kHz, 0.1VRMS, 8mADC BIAS FROM 0°C TO 70°C, ALL FOUR PAIRS
 - ALL FOUR PAIRS BI-DIRECTIONAL
 - PERFORMANCE @ 25°C:
 - INSERTION LOSS (IL): 1.1dB MAX FROM 0.5MHZ TO 100MHZ
 - RETURN LOSS (RL): 18dB MIN FROM 0.5MHZ TO 40MHZ
 - 12-20LOG(f/80)dB MIN FROM 40.1MHZ TO 100MHZ
 - CROSSTALK ATTENUATION: 35dB MIN FROM 0.5MHZ TO 40MHZ
 - 33-20xLOG(f/50)dB MIN FROM 40.1MHZ TO 100MHZ
 - COMMON MODE REJECTION RATIO (CMRR): 30dB MIN FROM 0.5MHZ TO 100MHZ
 - ISOLATION VOLTAGE: 2250VDC (MAX) FOR 60 SECONDS WITH A RISE TIME OF 500V/SEC AND WITH ALL PORTS CONNECTED.
4. OPERATING TEMPERATURE FROM 0°C TO +70°C.
- 5 THE LED WITH 250 OHM RESISTORS, LED IS DRIVEN WITH 5V VOLTAGE AND THE MAX OPERATING CURRENT IS 20mA. LED COLOR:
 - DOMINANT WAVELENGTH(λD): GREEN 568nm TYP. @ VF=5V
 - FORWARD CURRENT (IF): GREEN 12 mA TYP. @ VF=5V
 - DOMINANT WAVELENGTH (λD): YELLOW 588 nm TYP. @ VF=5V
 - FORWARD CURRENT (IF): YELLOW 13 mA TYP. @ VF=5V
- 6 THE MAGNETICS ARE SYMMETRICAL AND SUPPORT AUTO-MDI/MDIX.
- 7 TRP CONNECTOR LOGO, PART NUMBER, DATE CODE, COUNTRY OF ORIGIN AND AGENCY APPROVAL MARKING IN APPROXIMATE LOCATION SHOWN.
8. THE PART IS RECOMMENDED FOR WAVE SOLDERING PROCESS, PEAK WAVE SOLDERING TEMPERATURE IS 265°C MAX, 10 SECONDS MAX.

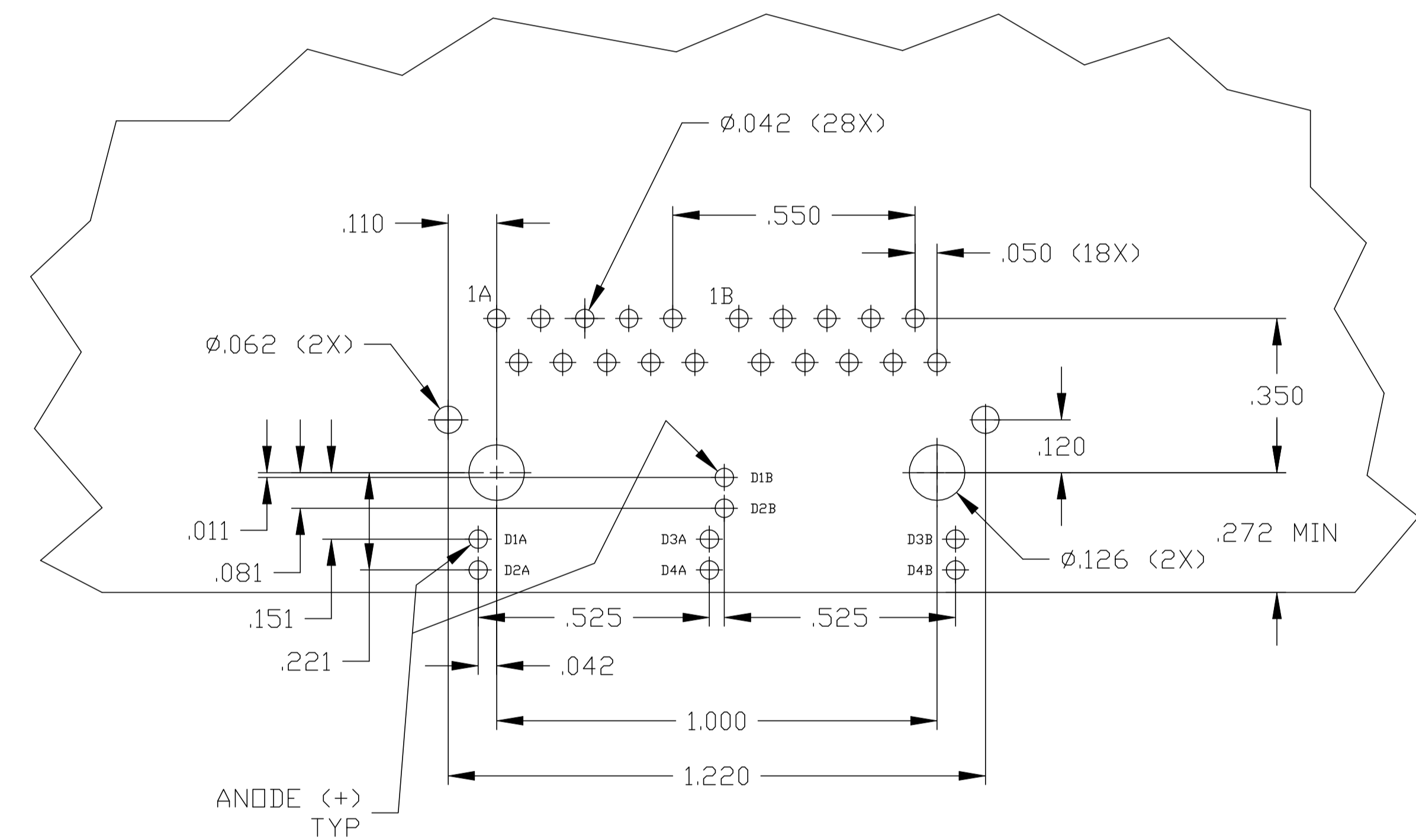
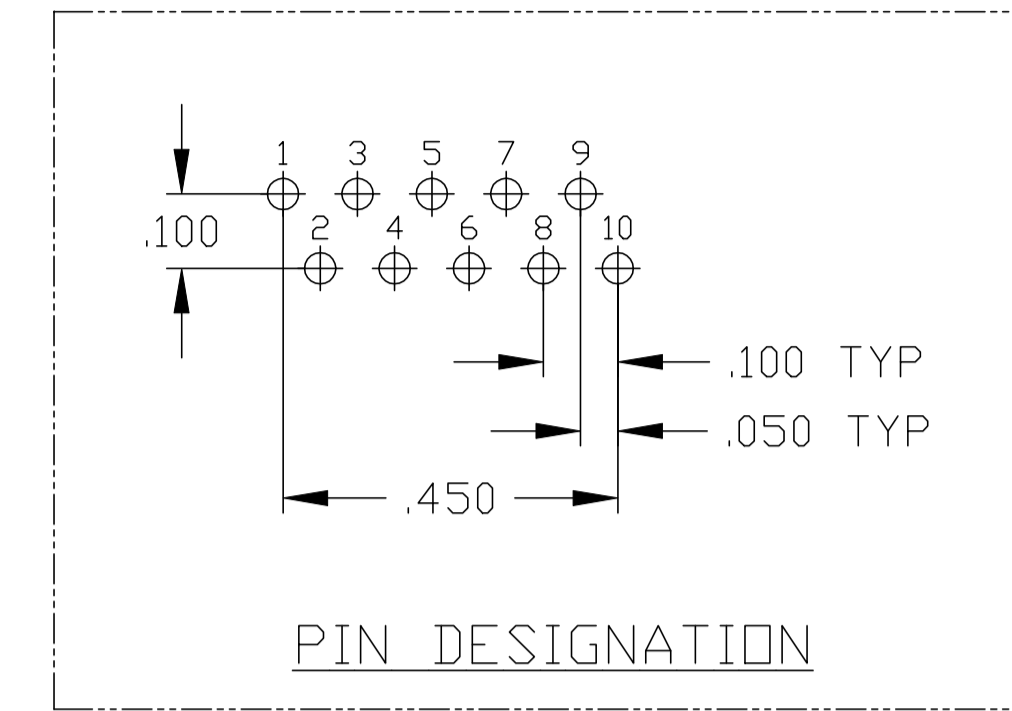
YES	YELLOW	GREEN	5-6610126-2
2KV DECOUPLING CAPACITOR	LED1	LED2	PART NUMBER

THIS DRAWING IS A CONTROLLED DOCUMENT.		DWN A. FERNANDEZ-DOCKS 17MAR2005		TRP CONNECTOR DONGGUAN CHINA	
DIMENSIONS: INCHES		CHK D. FAROLE 17MAR2005			
TOLERANCES UNLESS OTHERWISE SPECIFIED:		APVD D. FAROLE 17MAR2005		MODEL NAME	
0 PLC	± -	MAGJACK GANG		DESC 1X2 7G01P1 GIGABIT TAB UP W/ LED	
1 PLC	± -	NOE-POE		SIZE CAGE CODE DRAWING NO RESTRICTED TO	
2 PLC	± .010	CUSTOMER DRAWING		A1 C=6610126	
3 PLC	± .005	SCALE NTS		SHEET 1 OF 2	
4 PLC	± -	REV E			
ANGLES	± -				
APPLICATION SPEC	-				

7G01P1 SERIES GIGABIT CIRCUIT 3 6



C1 = 1000 pF, 2kV CAPACITOR
 R1-R4 = 75 OHMS, 1/16 W RESISTORS



SUGGESTED PCB LAYOUT
 (Component Side)

THIS DRAWING IS A CONTROLLED DOCUMENT.		DWN A. FERNANDEZ-DOCKS 17MAR2005		DONGGUAN CHINA	
DIMENSIONS: INCHES		CHK D. FAROLE 17MAR2005			
0 PLC ± - 1 PLC ± - 2 PLC ± .010 3 PLC ± .005 4 PLC ± - ANGLES ± - APPLICATION SPEC -		MODEL NAME MAGJACK GANG NOE-POE		DESC 1X2 7G01P1 GIGABIT TAB UP W/ LED	
PRODUCT SPEC 108-2100		APVD D. FAROLE 17MAR2005		SIZE A1	
APPLICATION SPEC		CUSTOMER DRAWING		SCALE NTS	
		SHEET 2		OF 2	
		REV E			