

NOTES:

1. MATERIALS AND FINISHES:  
 BODY & COUPLING NUT: BRASS, NICKEL PLATING  
 CONTACT: BeCu, GOLD PLATING  
 CONTACT: BRASS, GOLD PLATING  
 INSULATORS: PTFE, NATURAL  
 GASKET: SILICONE RUBBER, RED  
 FERRULE: SEAMLESS COPPER, NICKEL PLATING  
 HEAT SHRINK TUBING: CROSSLINKED POLYOLEFIN

2. ELECTRICAL:  
 A. IMPEDANCE: 50 OHM  
 B. FREQUENCY RANGE: DC - 6 GHz  
 C. VSWR(RETURN LOSS): 1.4 (15.563 dB), MAX.  
 D. DIELECTRIC WITHSTANDING VOLTAGE: 1000 VRMS, MIN.

3. MECHANICAL:  
 A. DURABILITY: 500 CYCLES MIN.  
 B. TEMPERATURE RANGE: -65° C TO +165° C

4. PACKAGING:  
 A. QUANTITY: SINGLE PACK  
 B. MARKING: BAG TO BE MARKED  
 "AMPHENOL RF, 31-6821, AND DATE CODE"

5. CABLE ASSEMBLY INSTRUCTIONS:  
 A. TRIM CABLE AS SHOWN.  
 B. SLIDE FERRULE AN INSULATOR DISC ONTO CABLE.  
 C. SOLDER CABLE CENTER CONDUCTOR TO BULLET CONTACT.  
 D. INSERT CABLE WITH FOIL ENTERING CONNECTOR AND BRAID OVER KNURL.  
 E. CRIMP FERRULE OVER BRAID WITH 0.213" HEX DIE.

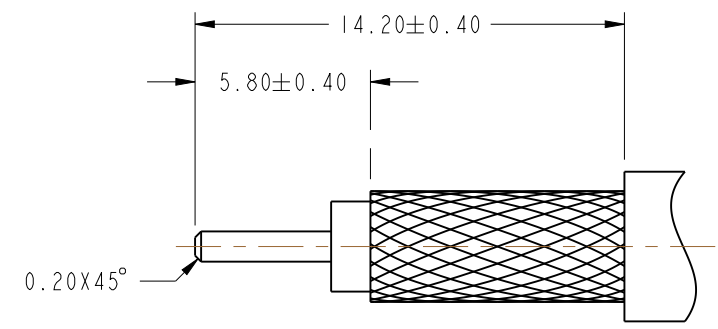
6. RECOMMENDED COUPLING TORQUE : 4-6 IN-LBS.

7. SHOWS CABLE ENTRY DIMENSIONS.

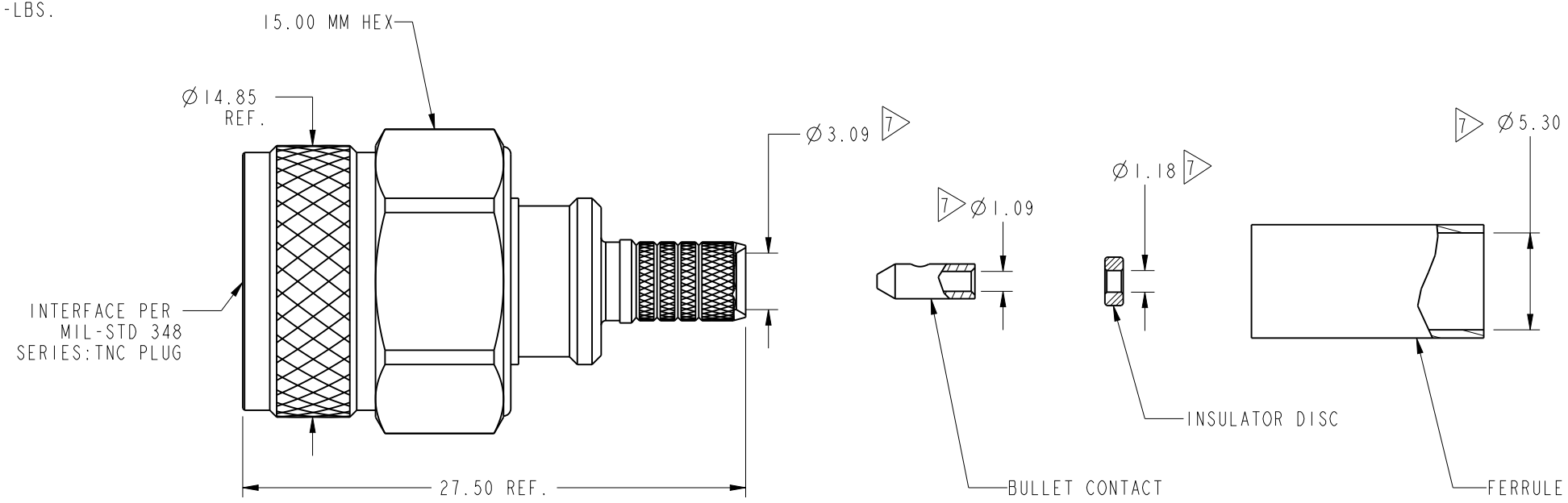
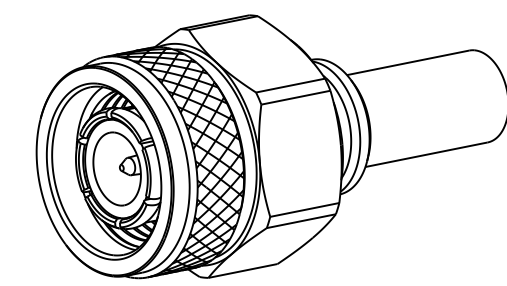
THIRD ANGLE PROJ.

REVISIONS

REV	DESCRIPTION	DATE	ECO	APPR
A	RELEASE TO MFG.	21-May-18	08141	KCE



**RECOMMENDED CABLE STRIPPING DIMENSIONS**



**CUSTOMER OUTLINE DRAWING**

ALL OTHER SHEETS ARE FOR INTERNAL USE ONLY

<p>UNLESS OTHERWISE SPECIFIED, DIMENSIONS ARE IN METRIC AND TOLERANCES ARE:          &lt;0.5mm ± 0.05mm    0.5 - 6mm ± 0.1mm    6 - 30mm ± 0.2mm    30 - 120mm ± 0.3mm    ANGLES ± 1°</p> <p>NOTICE - These drawings, specifications, or other data (1) are, and remain the property of Amphenol corp. (2) must be returned upon request; and (3) are confidential and not to be disclosed to any person other than those to whom they are given by Amphenol Corp., the furnishing of these drawings, specifications, or other data by Amphenol Corp., or to any other person to anyone for any purpose is not to be regarded by implication or otherwise in any manner licensing, granting rights to permitting such holder or any other person to manufacture, use or sell any product, process or design, patented or otherwise, that may in any way be related to or disclosed by said drawings, specifications, or other data.</p>	MATERIAL SEE NOTES	DRAWN K. ELMES	DATE 19-Dec-17	TITLE TNC STR PLUG FOR LMR-195-UF,	Amphenol RF www.amphenolrf.com	
	REFERENCE EAR # 8049	ENGINEER K. ELMES	DATE 19-Dec-17			
	CONFIGURATION LEVEL: In Work	APPROVED K. CAPOZZI	DATE 21-May-18	SCALE: 4.0:1.0	SHEET 2 OF 2	DRAWING NO. 31-6821
	FINISH	CAD FILE	DWG SIZE B	REV A	ITEM NO. 31-6821	PART NO. 31-6821