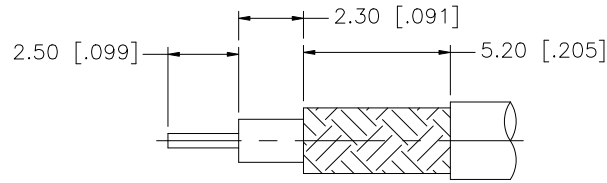
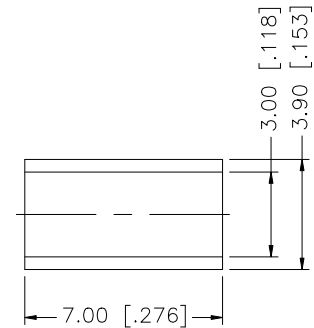
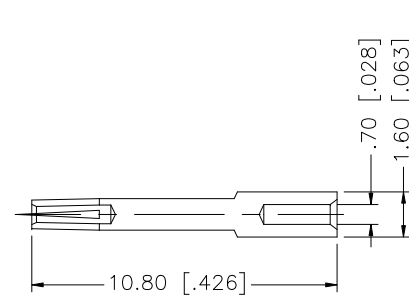
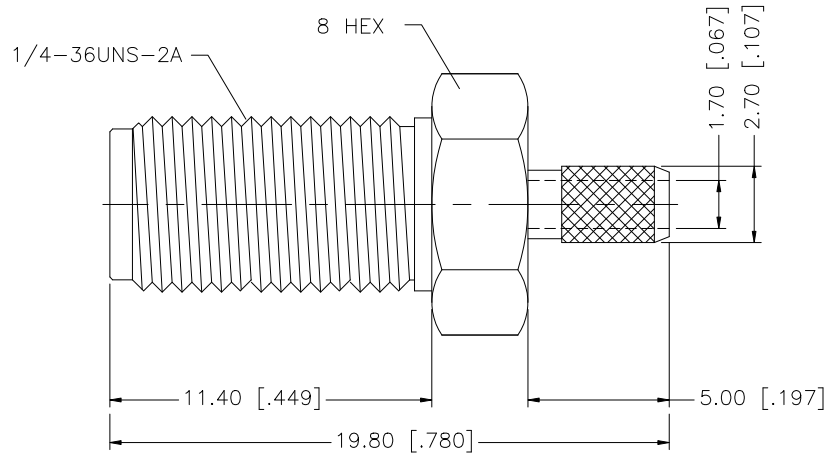


REV.	DATE	DESCRIPTION
A	01/20/04	UPDATE DRAWING FORMAT
B	09/03/07	REVISE BARREL, FERRULE O.D. DIMENSIONS



RECOMMENDED
CABLE STRIPPING DIM'S



NOTE:

1. CRIMPED FERRULE
HEX. CRIMP SIZE .128"
2. CONTACT PIN TO SOLDER.

DESCRIPTION	MATERIAL	FINISH	QTY	DO NOT SCALE DRAWING	APPROVALS	DATE	Amphenol Connex								
8					DRAWN	G.R.S.	09/03/07	PART DESCRIPTION SMA CRIMP JACK (FOR RG-174/U, 188A/U, 316/U CABLE)							
7					CHECKED										
6					ISSUED			PART NO. 132117							
5					SHEET	1 OF 1									
4	FERRULE	COPPER	GOLD	1	CAD FILE			DWG. NO.	132117.DWG	REV.	B	SIZE	A	SCALE	NA
3	CONTACT PIN	BER. COPPER	GOLD	1	UNLESS OTHERWISE SPECIFIED DIMENSIONS ARE IN MILLIMETERS. DIMENSIONS IN [] ARE IN INCHES AND FOR CUSTOMER REFERENCE ONLY.										
2	INSULATOR	TEFLON	NATURAL	1	UNLESS OTHERWISE SPECIFIED TOLERANCES FOR MILLIMETERS ARE:										
1	BODY	BRASS	GOLD	1	UNLESS OTHERWISE SPECIFIED TOLERANCES FOR INCHES ARE:										
					.020 - .315 = ± 0.007"										
					.315 - 1.180 = ± 0.015"										
					1.180 - 4.724 = ± 0.020"										