



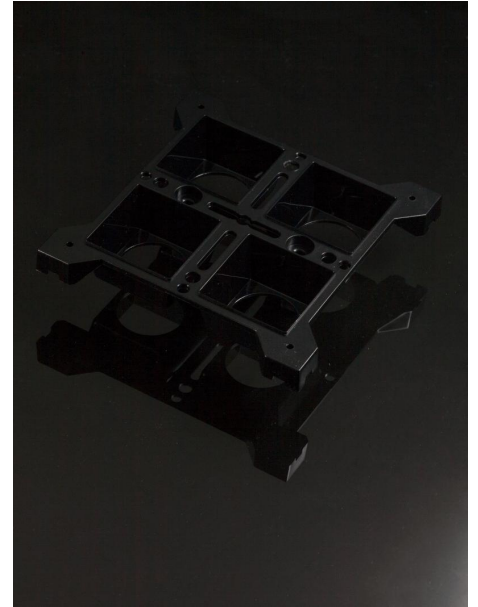
PRODUCT DATASHEET

Florentina series

last update 25/10/2016

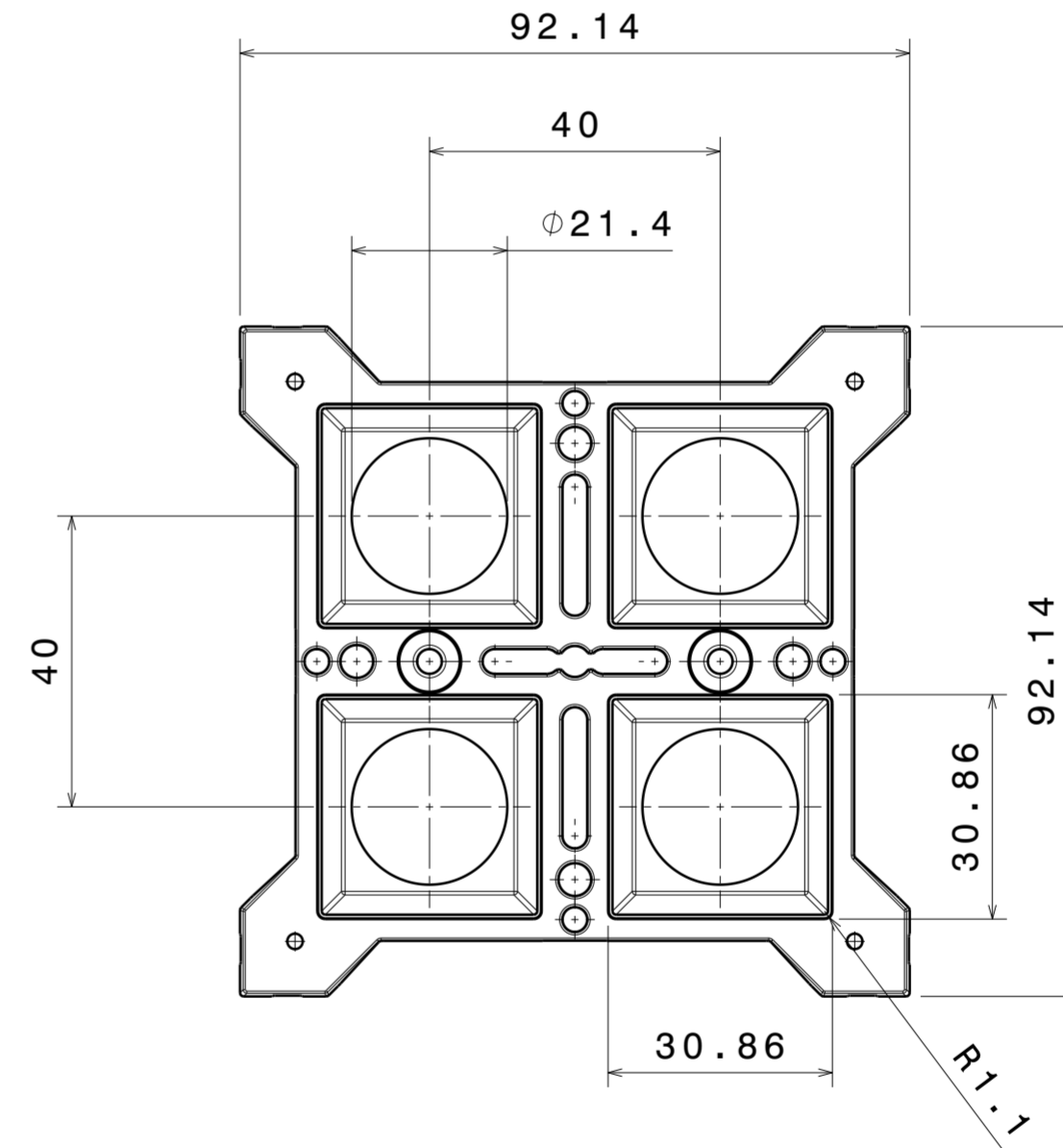
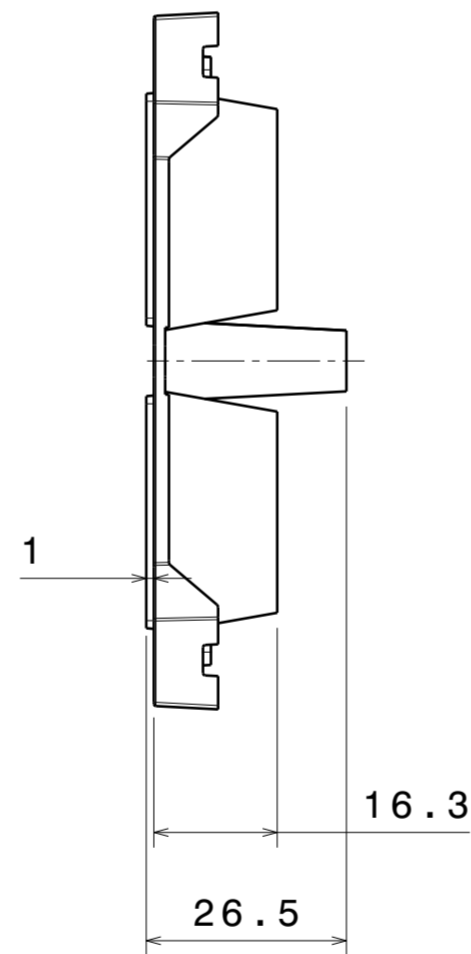
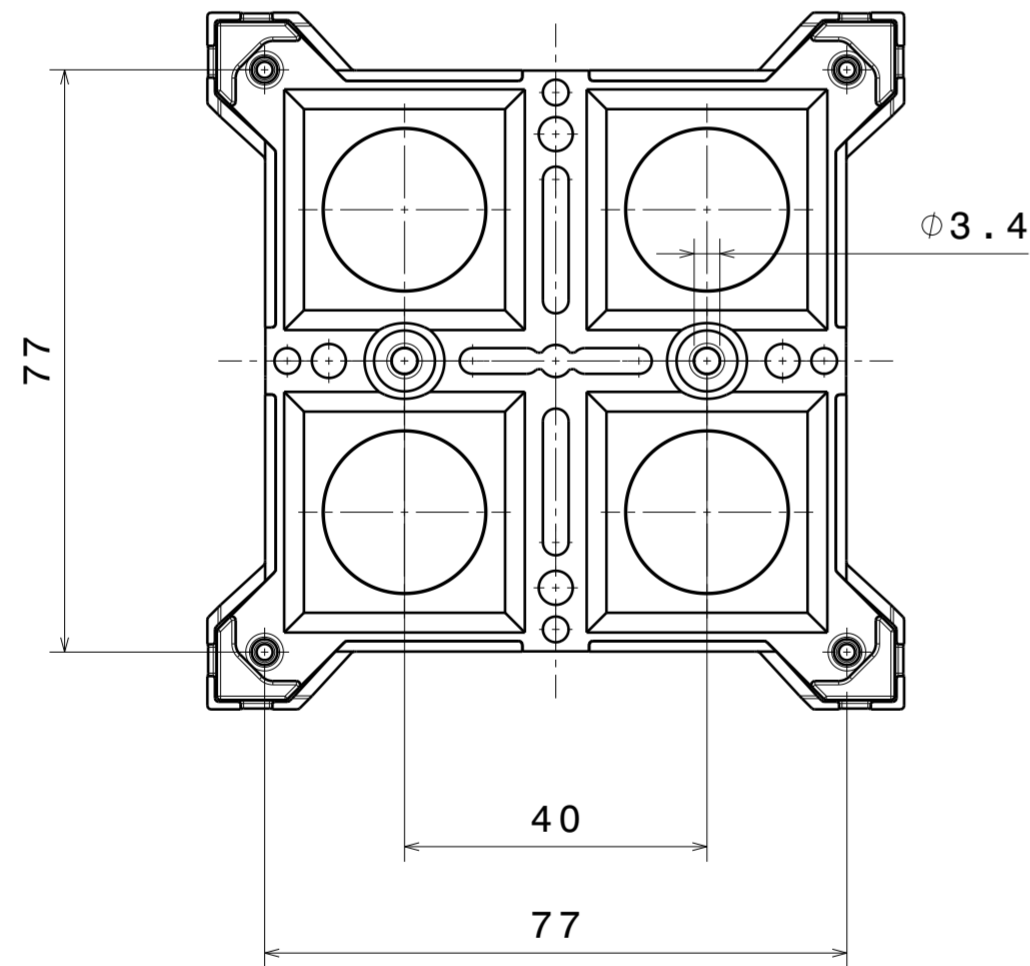
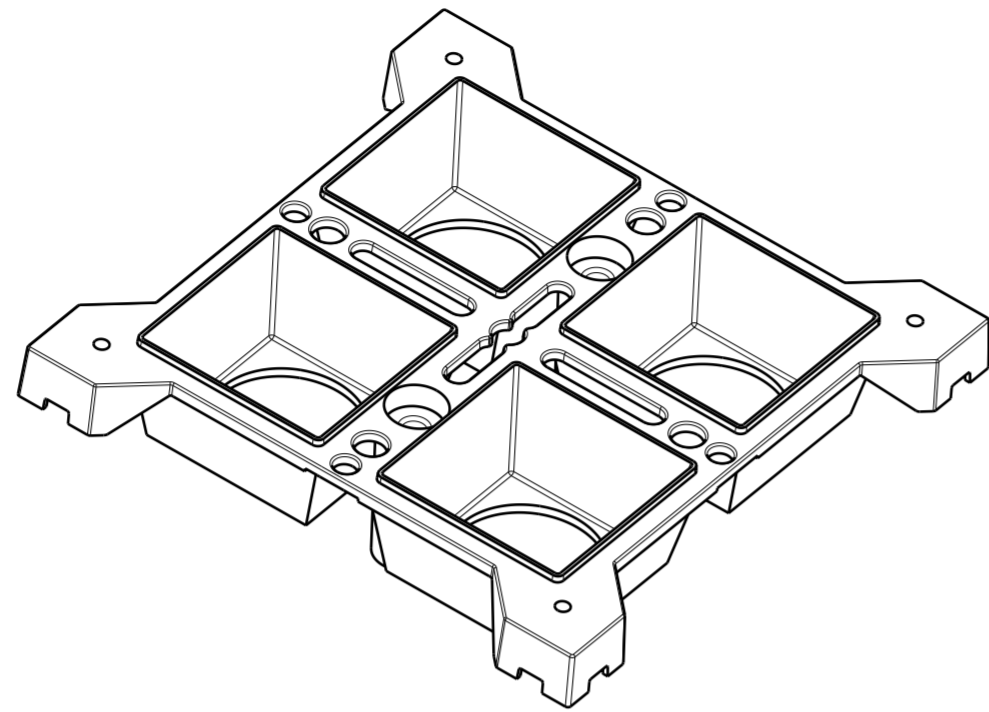
DETAILS

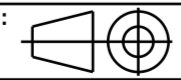
Product Number	C15196_FLORENTINA-2X2-SHD-OPEN
Family	Florentina
Type	Shade
Color	black
Diameter	92,14x92,14 mm
Height	26,47 mm
Style	square
Optic Material	
Holder Material	
Fastening	pin, screw
Status	production ready
ROHS Compliant	Yes
Date Updated	25/10/2016



OPTICAL PROPERTIES

LED	Viewing Angle	Light Beam	Efficiency	cd/lm	Connector
-	NA deg	-	-	sim: 0.000	-



INDEX	PART NO	DESCRIPTION	MATERIAL	COLOUR
1	C15196	FLORENTINA-2X2-SHD-OPEN	PC	black
<small>Tolerances if not otherwise shown According to DIN ISO 2768-1 Linear measures: Up to 30mm class FJ, otherwise class MC. According to DIN ISO 2768-2 Form and position: class K Control for SPC marked dimensions.</small>		LEDiL Ledil Oy Salorankatu 10 FIN 24240 SALO Finland		
<small>THIRD ANGLE PROJECTION:</small> 		DRAWING TITLE C15196_FLORENTINA-2X2-SHD-OPEN Mechanical model		
<small>This drawing is the property of LEDiL Oy. It may not be reproduced, copied or communicated without a written agreement with LEDiL Oy.</small>		SIZE A2 PART NUMBER C15196		
		SCALE 1:1 WEIGHT 20 g		SHEET 1/1

NOTE: The typical divergence will be changed by different color, chip size and chip position tolerance. The typical total divergence is the full angle measured where the luminous intensity is half of the peak value.