



PRODUCT DATASHEET

Strada series

last update 6/3/2017

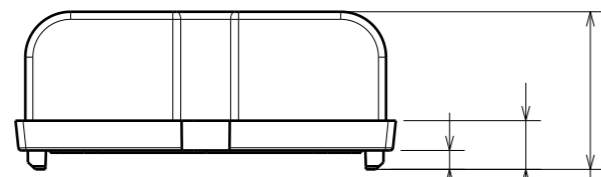
DETAILS

Product Number	CA15946_STRADA-SQ-T2-B
Family	Strada
Type	Assembly
Color	clear
Diameter	25 x 25 mm
Height	10,35 mm
Style	rectang
Optic Material	PMMA
Holder Material	
Fastening	tape
Status	production ready
ROHS Compliant	Yes
Date Updated	6/03/2017



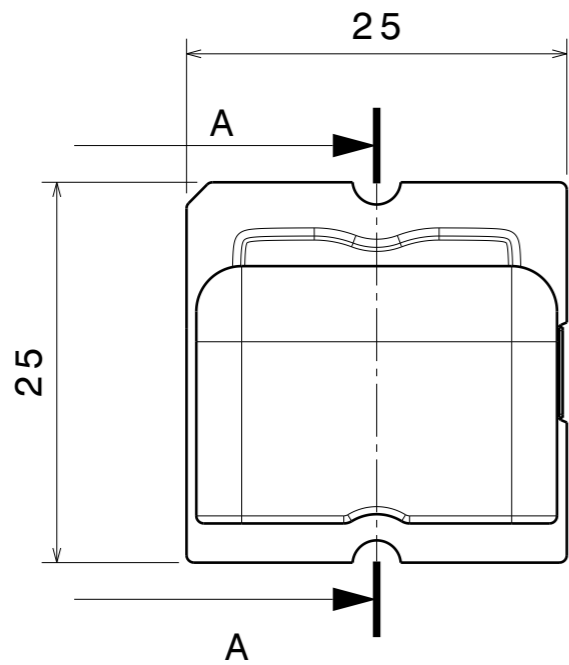
OPTICAL PROPERTIES

LED	Viewing Angle	Light Beam	Efficiency	cd/lm	Connector
LUXEON M/MX	Asymmetric deg	Streetligh...	92 %	0.700	-

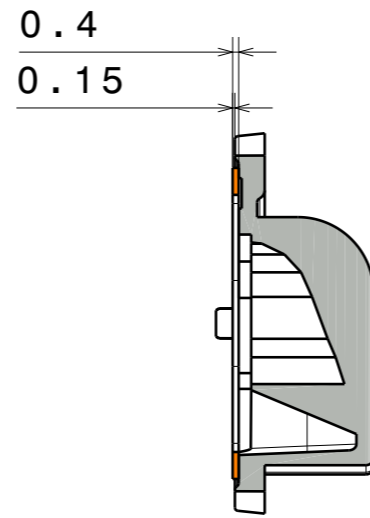


Bottom view
Scale: 2:1

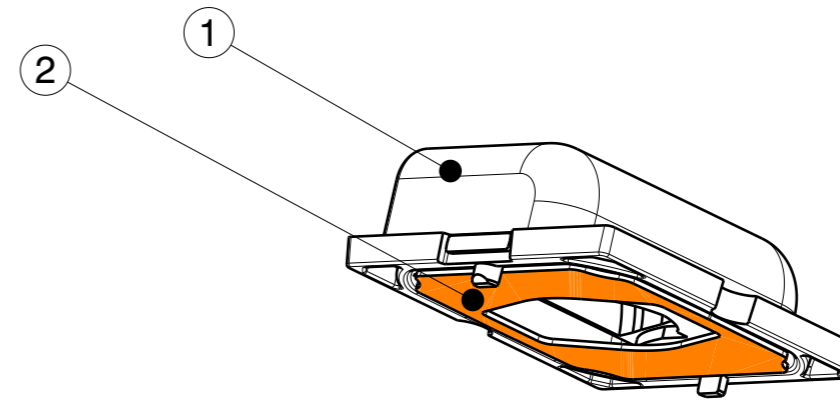
1.25
3.22
10.35



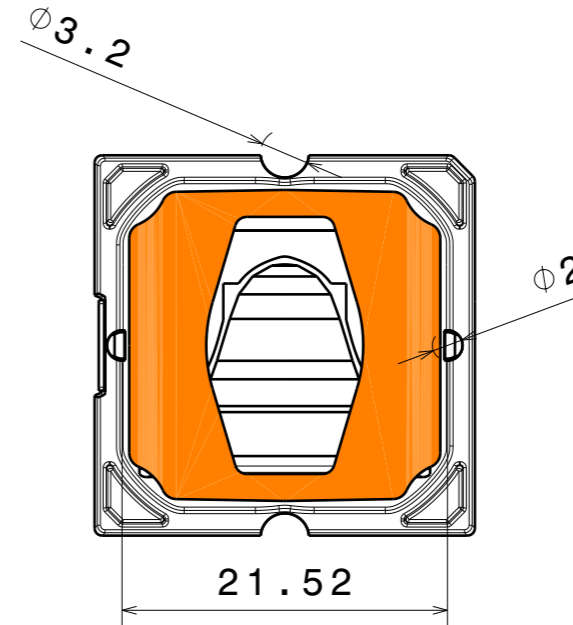
Front view
Scale: 2:1



Section view A-A
Scale: 2:1



Isometric view
Scale: 2:1



Rear view
Scale: 2:1

INDEX	PART NO	DESCRIPTION	MATERIAL	COLOUR
1	C15945	STRADA-SQ-T2-B	PMMA	Clear
2	C14564	ROSE-TAPE	PU 2-sided foam tape	Adhesive

Tolerances if not otherwise shown
According to DIN ISO 2768-1
Linear measures:
Up to 30mm class M, otherwise class C.
According to DIN ISO 2768-2
Form and position: class L



Ledil Oy
Salorankatu 10
FIN 24240 SALO
Finland

THIRD ANGLE PROJECTION:

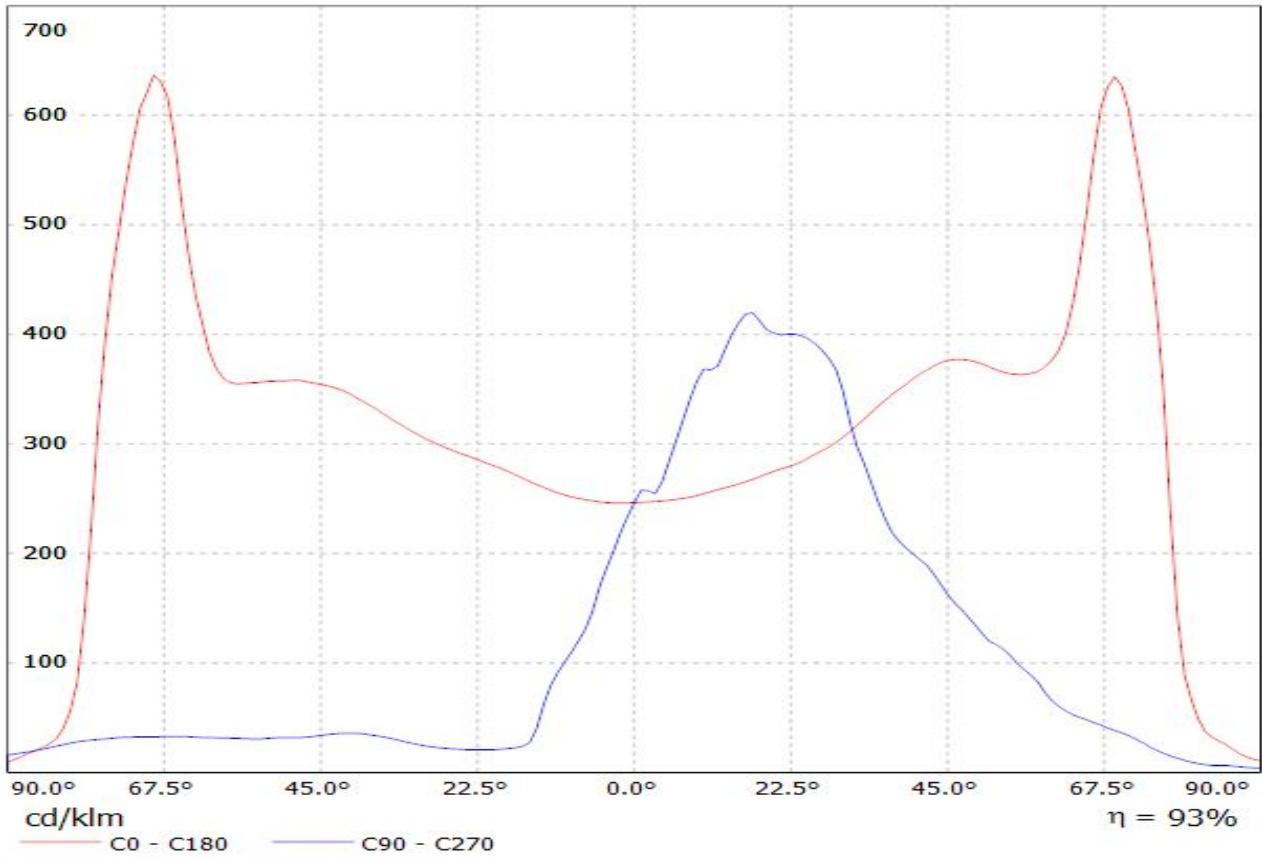
DRAWING TITLE
CA15946_STRADA-SQ-T2-B

This drawing is the property
of LEDiL Oy. It may not be
reproduced, copied or
communicated without a written
agreement with LEDiL Oy.

SIZE	PART NUMBER
A3	CA15946

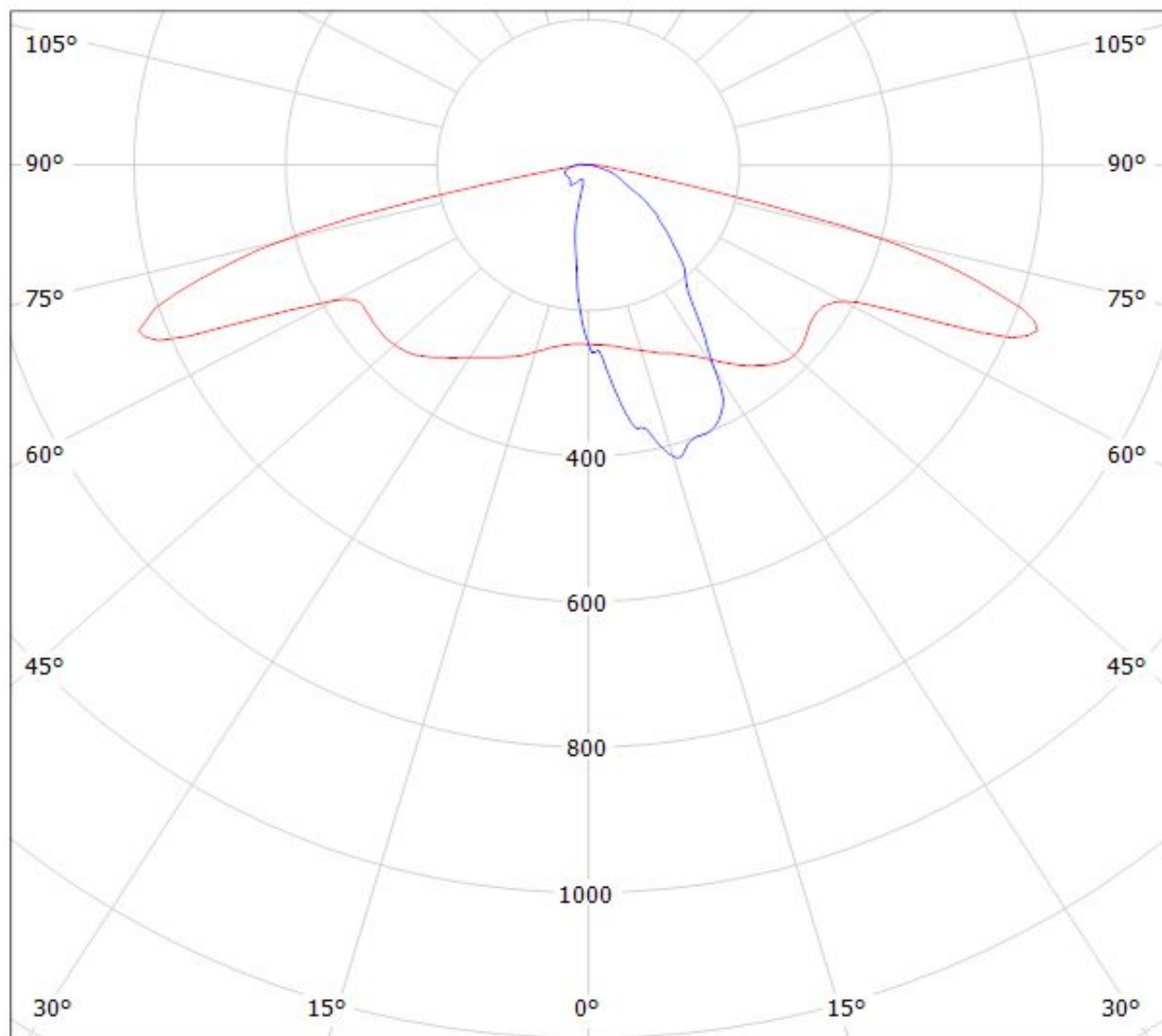
SCALE	2:1	WEIGHT	3,22 g	SHEET	1/1
-------	-----	--------	--------	-------	-----

Luminaire: Ledil CA15946_STRADA-SQ-T2-B_(Luxeon_M)
Lamps: 1 x Luxeon_M_(LXR8-SW40)_389.946lm@250mA_P=2.7755W_I=0.25A



Luminaire: Ledil CA15946_STRADA-SQ-T2-B_(Luxeon_M)

Lamps: 1 x Luxeon_M_(LXR8-SW40)_389.946lm@250mA_P=2.7755W_I=0.25A



$\eta = 93\%$

cd/klm

— C0 - C180

— C90 - C270

NOTE: The typical divergence will be changed by different color, chip size and chip position tolerance. The typical total divergence is the full angle measured where the luminous intensity is half of the peak value.